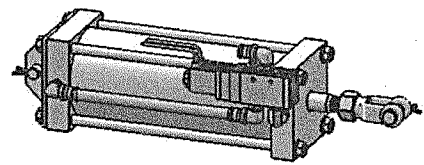
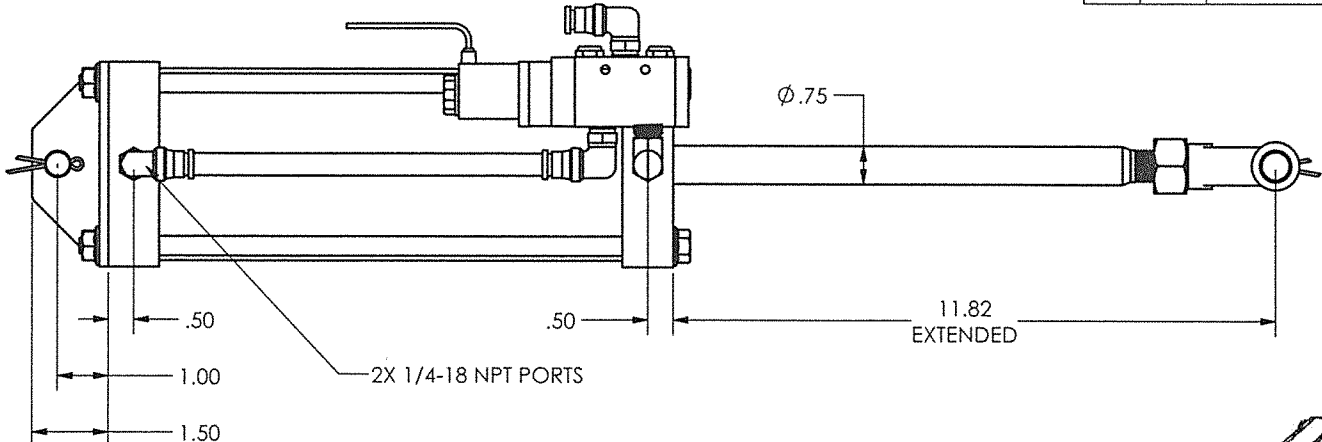


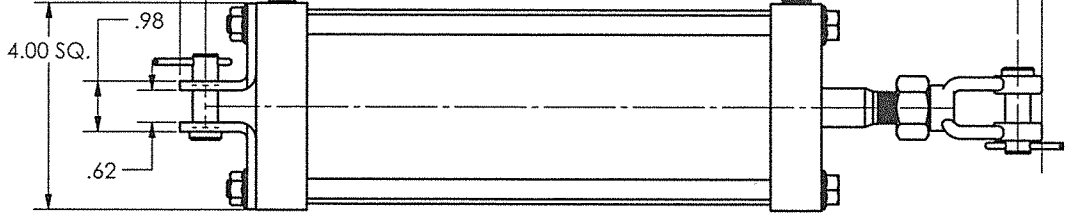
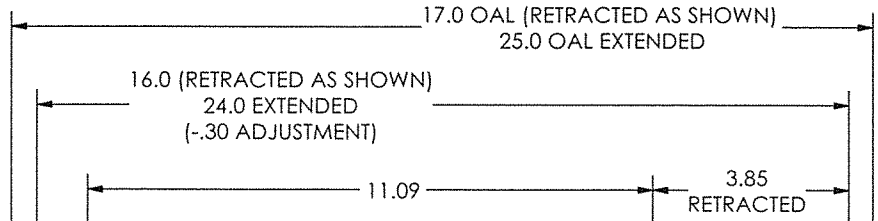
REVISIONS				
ECR	REV.	DESCRIPTION	DATE	APPROVED
E2230	E	See Sheet I	08/16/2013	JUMPER

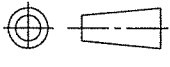



NOTES:

BORE = Ø3.5"
 STROKE = 8.0
 RETRACTED = 16.0
 EXTENDED = 24.0
 EXTENSION FORCE @ 100PSI= 962 LBS
 RETRACT FORCE @ 100PSI= 918 LBS

PORTS ON SIDE



TYPE OF PROJECTION  THIRD ANGLE PROJECTION	DO NOT SCALE DRAWING UNLESS OTHERWISE SPECIFIED DIMENSIONS ARE IN INCHES TOLERANCES ARE: DECIMALS X = ±.03 XX = ±.010 XXX = ±.005 FRACTION = ±.015 ANGLES = ±1/2°	 8178 EAST 44TH STREET TULSA, OK 74145			
		PROPRIETARY AND CONFIDENTIAL THE INFORMATION CONTAINED IN THIS DRAWING IS THE SOLE PROPERTY OF APSCO Inc. ANY REPRODUCTION IN PART OR AS A WHOLE WITHOUT WRITTEN PERMISSION OF APSCO Inc. IS PROHIBITED.	SURFACE TEXTURE OR BETTER <small>MATERIAL</small> N/A	DWG. NO. C-6059-E-PK	REV E
		SIZE B	DRAWN JUMPER	DATE 04/10/2012	CLASS CYL
		F/N: C-6000 SERIES MASTER		SHT. 2 OF 2	

8 7 6 5 4 3 2 1

8 7 6 5 4 3 2 1

D

C

B

A

D

C

B

A