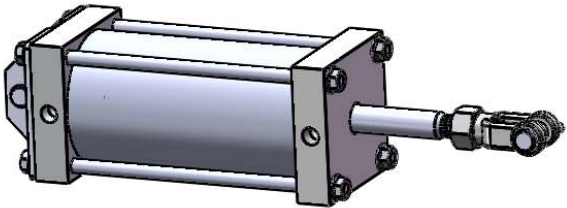
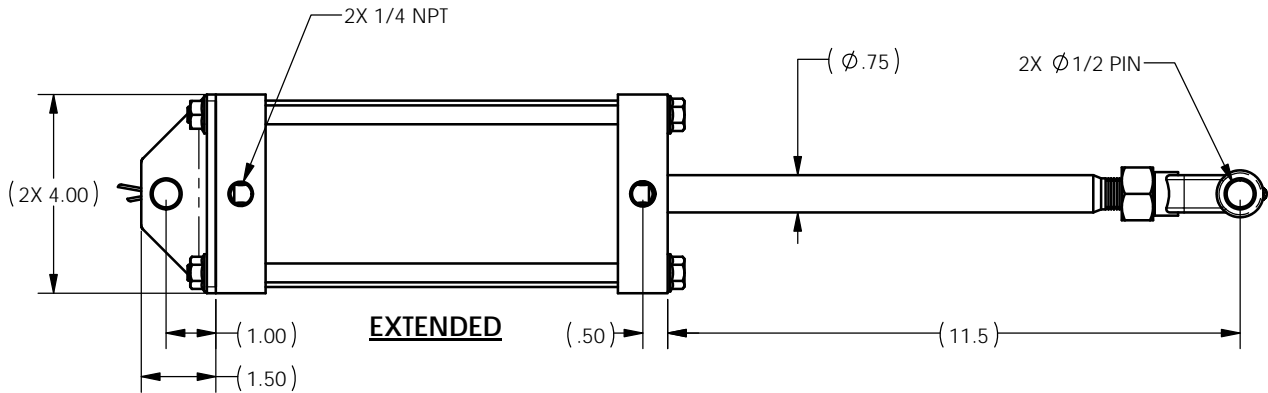


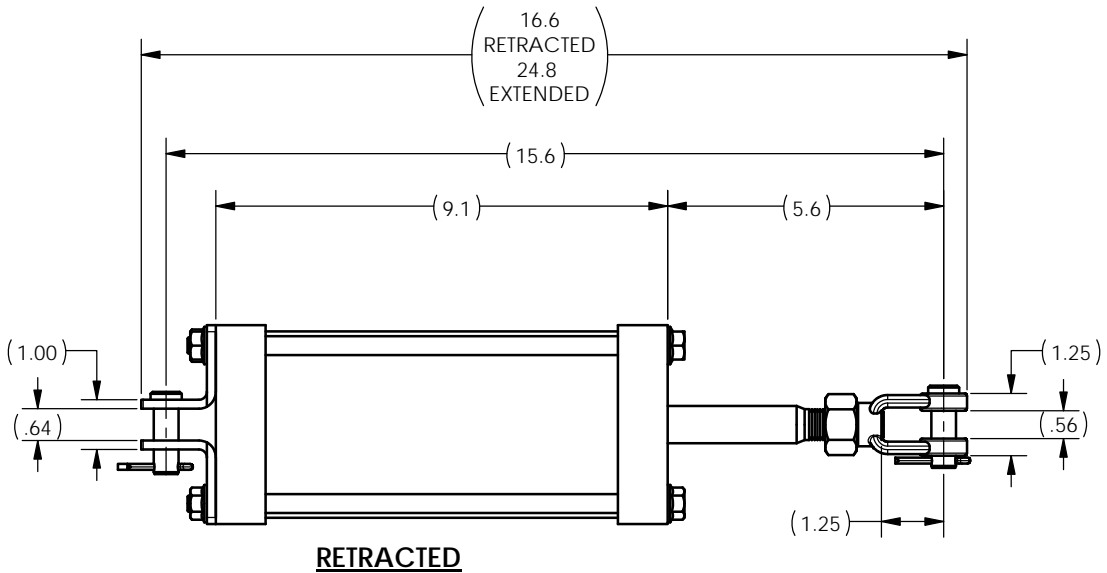
8 7 6 5

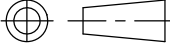
REVISIONS				
ECR	REV.	DESCRIPTION	DATE	CHG BY
E3070	C	See Shet1	5/2/2016	RR



**PORTS ON SIDE**

BORE = Ø 3.5  
 STROKE = 6.0  
 RETRACTED PIN TO PIN = 15.6  
 EXTENDED PIN TO PIN = 21.6  
 EXTENSION FORCE @ 100PSI = 962 LBS  
 RETRACT FORCE @ 100PSI = 918 LBS



<p><b>ASSEMBLY</b>                  DO NOT SCALE DRAWING                  UNLESS OTHERWISE SPECIFIED                  DIMENSIONS ARE IN INCHES                  TOLERANCES ARE:                  X = ±.06                  XX = ±.03                  XXX = ±.010                  ANGLES = ±2°                  SURFACE TEXTURE OR BETTER                  6.3                  TYPE OF PROJECTION                    THIRD ANGLE PROJECTION                  SHEET SIZE B</p>	<p><b>PROPRIETARY AND CONFIDENTIAL</b>                  THE INFORMATION CONTAINED IN THIS DRAWING IS THE SOLE PROPERTY OF APSCO Inc.. ANY REPRODUCTION IN PART OR AS A WHOLE WITHOUT WRITTEN PERMISSION OF APSCO Inc. IS PROHIBITED.</p>		<p>TITLE:                  CYL 3.5 X 6 DA 10 BR PK</p>	
	<p>DRAWN                  RR</p>		<p>DATE                  5/2/2016</p>	
	<p>CHECKED                  DJ</p>		<p>DATE                  5/2/2016</p>	
	<p>APPROVED                  FH</p>		<p>DATE                  5/2/2016</p>	
<p>FINAL                  FH</p>		<p>DATE                  5/2/2016</p>		<p>DWG. NO.                  C-6057-PK</p>
<p>MATERIAL                  N/A</p>		<p>FINISH                  N/A</p>		<p>REV                  C</p>
<p>F/N: C-6057-PK/C</p>				<p>SHT. 2 OF 2</p>

8 7 6 5 4 3 2 1