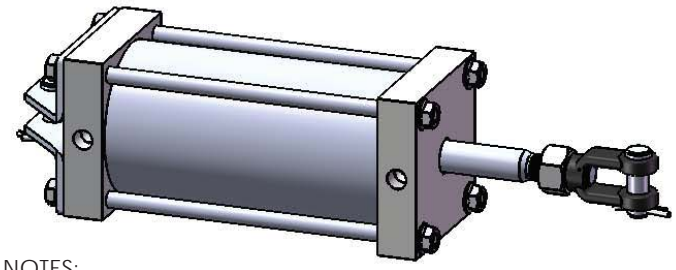
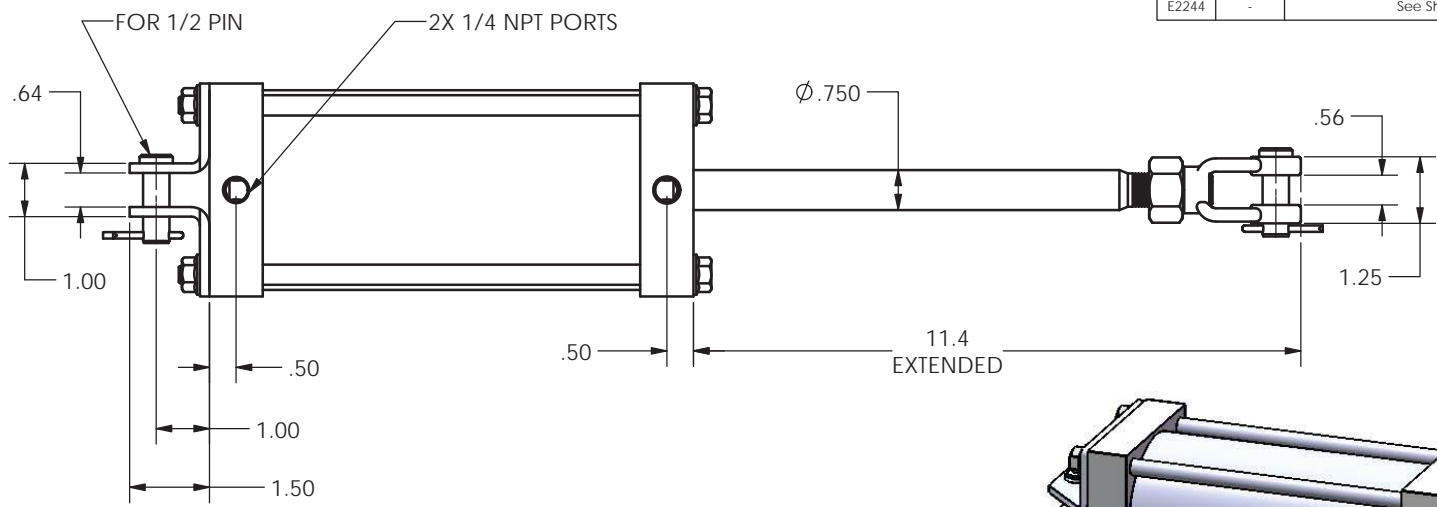


8 7 6 5 4 3 2 1

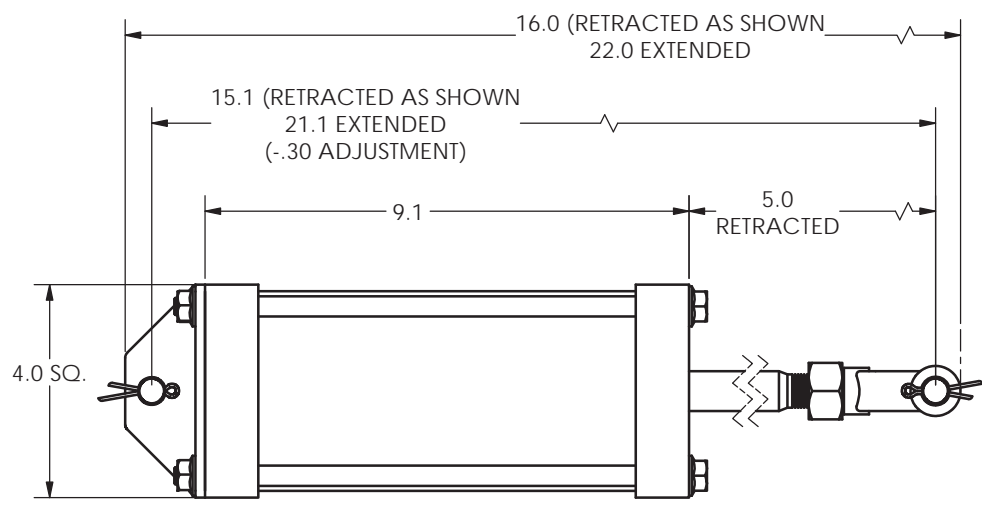
REVISIONS				
ECR	REV.	DESCRIPTION	DATE	CHG BY
E2244	-	See Sheet1	08/21/2013	JUMPER

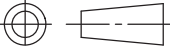



**NOTES:**

BORE = Ø 3.5"  
 STROKE = 6.0  
 RETRACTED = 15.1  
 EXTENDED = 21.1  
 EXTENSION FORCE @ 100PSI= 962 LBS  
 RETRACT FORCE @ 100PSI= 918 LBS

**PORTS ON TOP**



TYPE OF PROJECTION  THIRD ANGLE PROJECTION	DO NOT SCALE DRAWING UNLESS OTHERWISE SPECIFIED DIMENSIONS ARE IN INCHES TOLERANCES ARE: DECIMALS X = ±.03 .XX = ±.010 .XXX = ±.005 FRACTION = ±.015 ANGLES = ±1/2° 63 SURFACE TEXTURE OR BETTER MATERIAL N/A FINISH N/A	 8178 EAST 44TH STREET TULSA, OK 74145		
		TITLE: CYL 3.5 X 6 DA 10 BR		
<b>PROPRIETARY AND CONFIDENTIAL</b> THE INFORMATION CONTAINED IN THIS DRAWING IS THE SOLE PROPERTY OF APSCO Inc.. ANY REPRODUCTION IN PART OR AS A WHOLE WITHOUT WRITTEN PERMISSION OF APSCO Inc. IS PROHIBITED.	DWG. NO. C-6053S-PK		REV -	
	SIZE B	DRAWN JUMPER	DATE 09/01/2011	CLASS CYL
	F/N: C-6000 SERIES MASTER			SHT. 2 OF 2

8 7 6 5 4 3 2 1