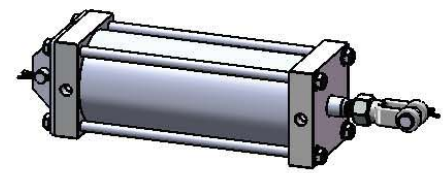
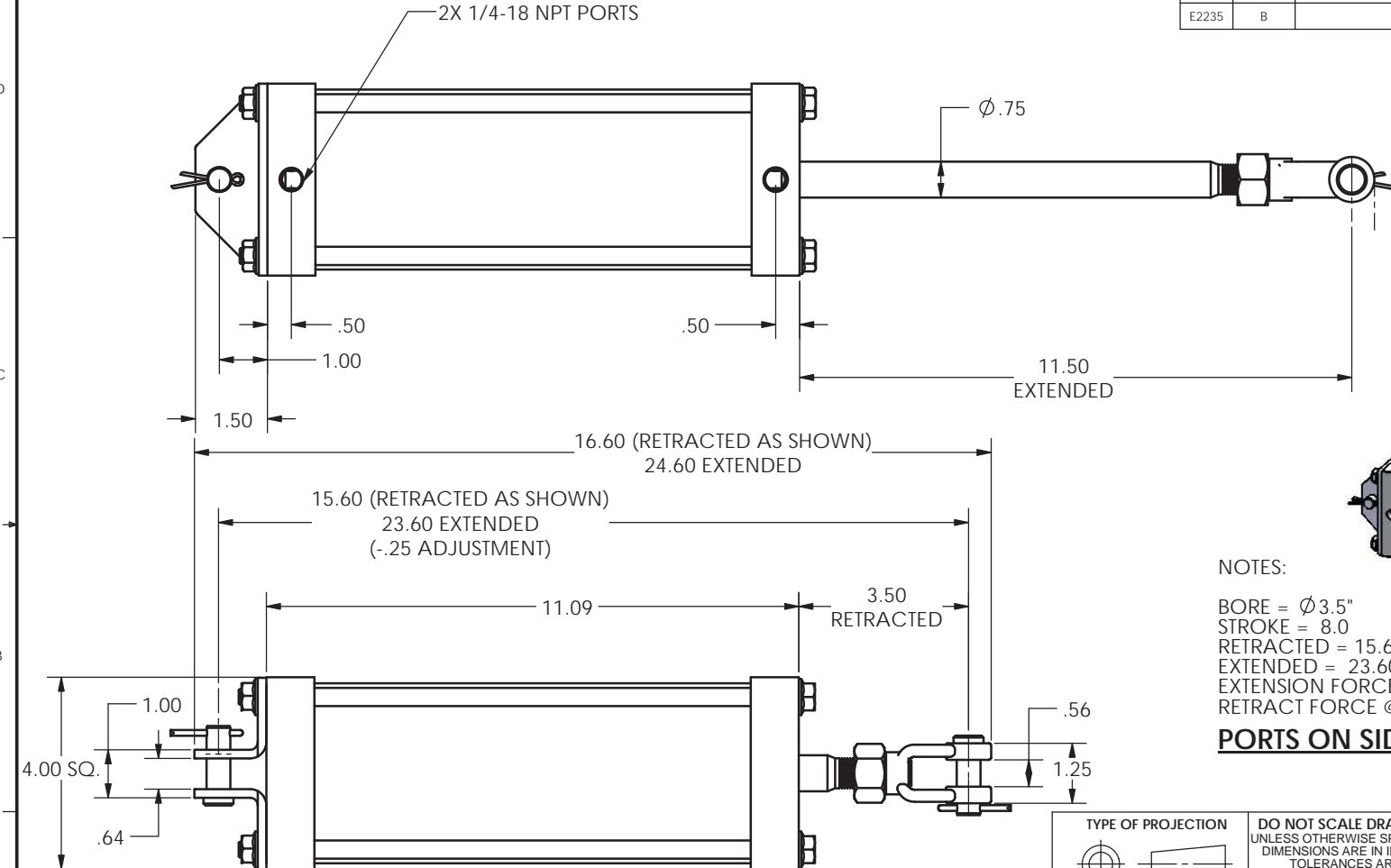


8 7 6 5 4 3 2 1

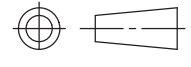

REVISIONS				
ECR	REV.	DESCRIPTION	DATE	APPROVED
E2235	B	See Sheet1	08/08/2013	JUMPER



NOTES:
 BORE = \varnothing 3.5"
 STROKE = 8.0
 RETRACTED = 15.60
 EXTENDED = 23.60
 EXTENSION FORCE @ 100PSI= 962 LBS
 RETRACT FORCE @ 100PSI= 918 LBS

PORTS ON SIDE

A

TYPE OF PROJECTION  THIRD ANGLE PROJECTION	DO NOT SCALE DRAWING UNLESS OTHERWISE SPECIFIED DIMENSIONS ARE IN INCHES TOLERANCES ARE: DECIMALS .X = \pm .03 .XX = \pm .010 .XXX = \pm .005 FRACTION = \pm .015 ANGLES = \pm 1/2°	 8178 EAST 44TH STREET TULSA, OK 74145			
		PROPRIETARY AND CONFIDENTIAL THE INFORMATION CONTAINED IN THIS DRAWING IS THE SOLE PROPERTY OF APSCO Inc.. ANY REPRODUCTION IN PART OR AS A WHOLE WITHOUT WRITTEN PERMISSION OF APSCO Inc. IS PROHIBITED.	SURFACE TEXTURE OR BETTER MATERIAL N/A FINISH N/A	TITLE: CYL 3.5 X 8 DA 10 BR	DWG. NO. C-6023-PK
		SIZE B	DRAWN JUMPER	DATE 09/01/2011	REV B
		F/N: C-6000 SERIES MASTER			CLASS CYL
					SHT. 2 OF 2

8 7 6 5 4 3 2 1