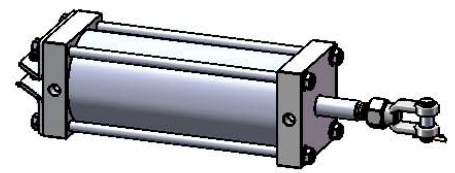
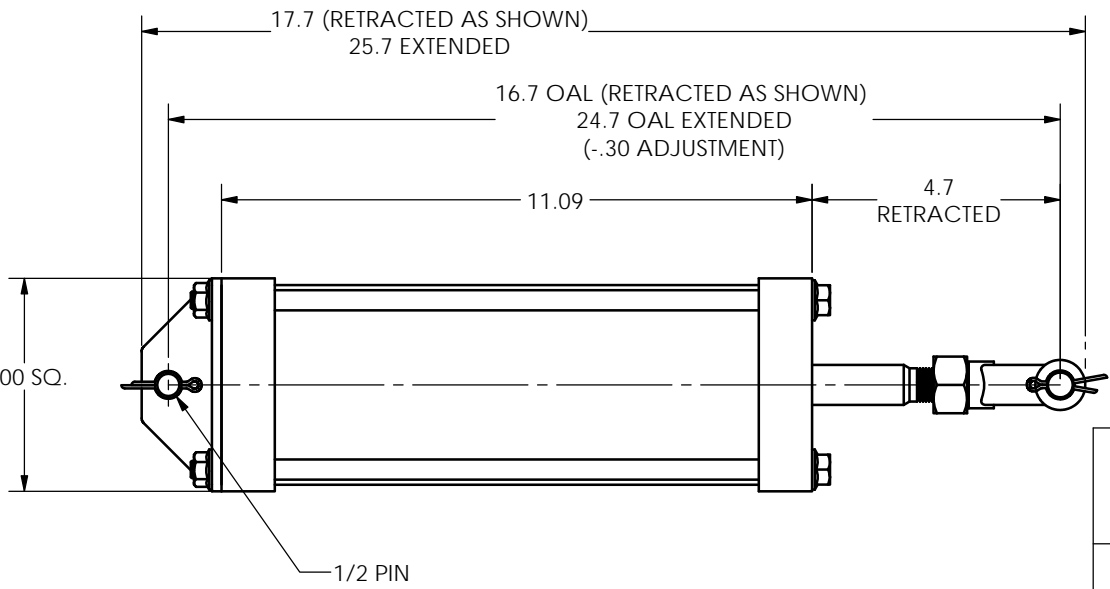
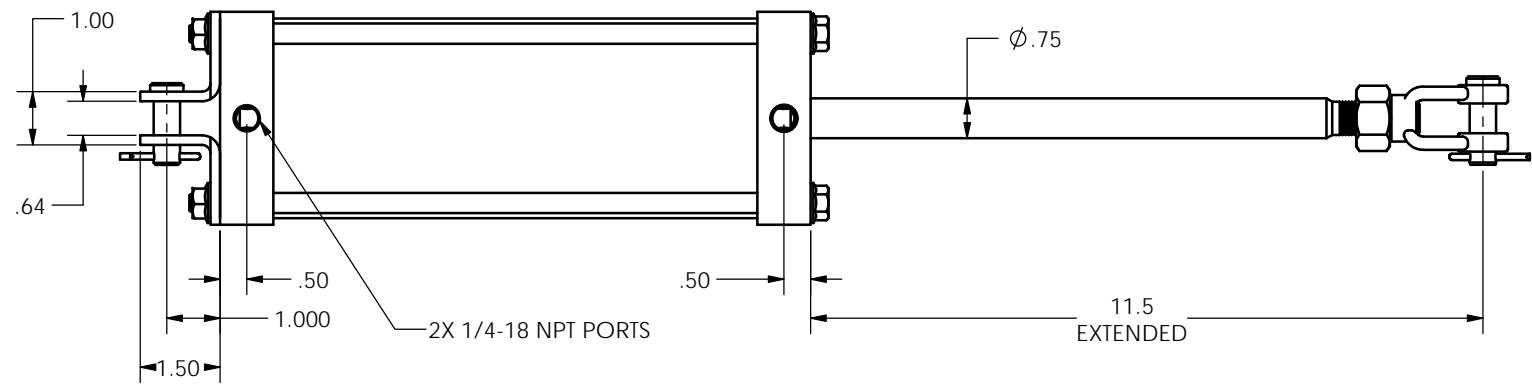
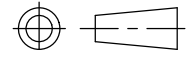



REVISIONS				
ECR	REV.	DESCRIPTION	DATE	APPROVED
E2413	B	See Sheet1	02/18/2014	JUMPER



NOTES:
 BORE = ϕ 3.5"
 STROKE = 8.0
 RETRACTED = 16.7
 EXTENDED = 24.7
 EXTENSION FORCE @ 100PSI= 962 LBS
 RETRACT FORCE @ 100PSI= 918 LBS

PORTS ON TOP

TYPE OF PROJECTION  THIRD ANGLE PROJECTION	DO NOT SCALE DRAWING UNLESS OTHERWISE SPECIFIED DIMENSIONS ARE IN INCHES TOLERANCES ARE: DECIMALS .X = \pm .03 .XX = \pm .010 .XXX = \pm .005 FRACTION = \pm .015 ANGLES = \pm 1/2°	 8178 EAST 44TH STREET TULSA, OK 74145	
		PROPRIETARY AND CONFIDENTIAL THE INFORMATION CONTAINED IN THIS DRAWING IS THE SOLE PROPERTY OF APSCO Inc.. ANY REPRODUCTION IN PART OR AS A WHOLE WITHOUT WRITTEN PERMISSION OF APSCO Inc. IS PROHIBITED.	SURFACE TEXTURE OR BETTER MATERIAL: N/A FINISH: N/A
		DWG. NO. C-6011-PK	REV B
SIZE B	DRAWN JUMPER	DATE 08/16/2013	CLASS CYL
F/N: C-6000 SERIES MASTER			SHT. 2 OF 2