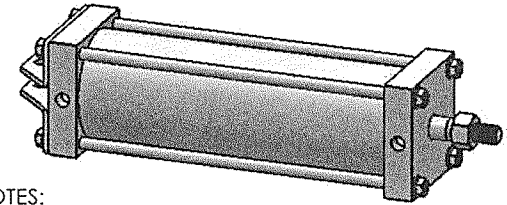
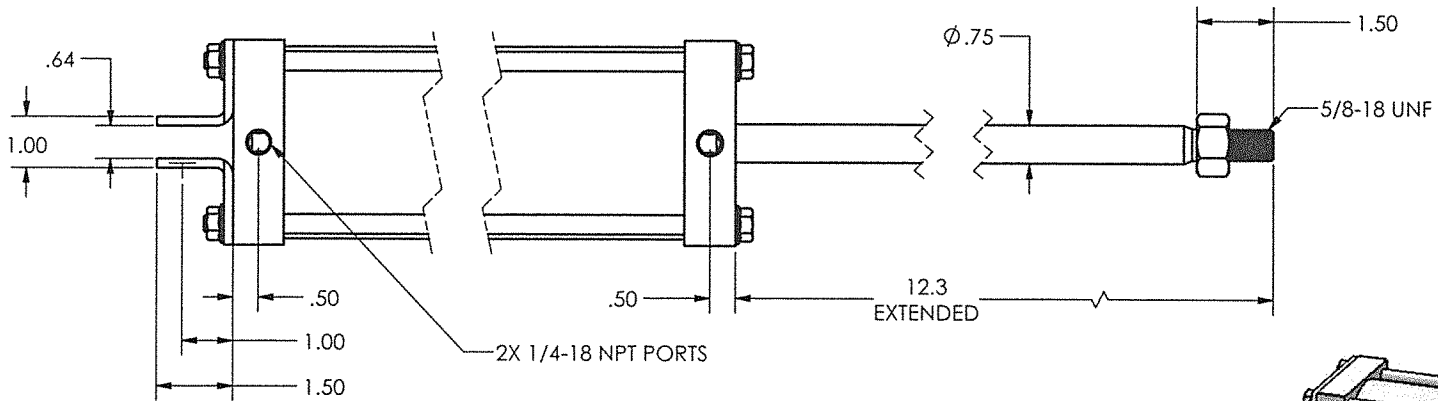
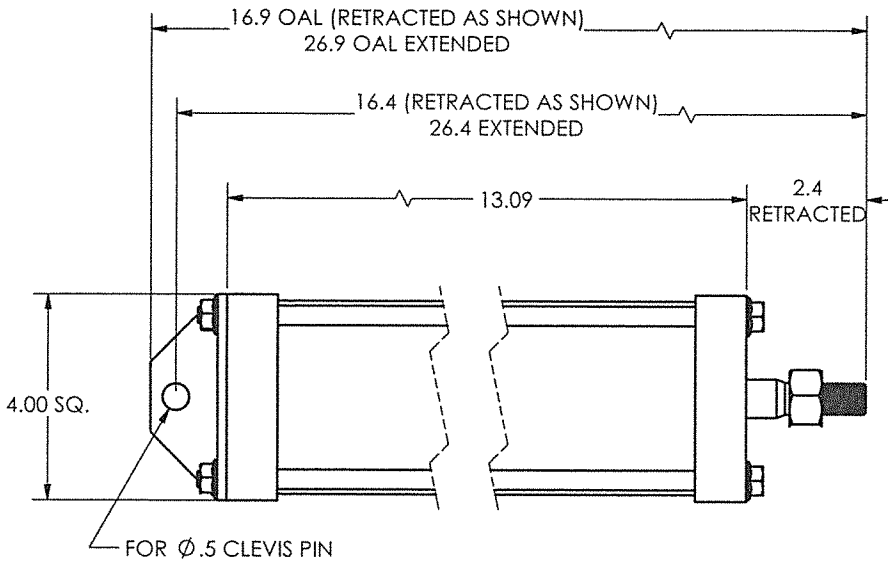


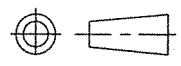

REVISIONS				
ECR	REV.	DESCRIPTION	DATE	APPROVED
E2304	-	See Sheet1	07/10/2014	PEREZ



NOTES:  
 BORE =  $\phi$ 3.5"  
 STROKE = 10.0  
 RETRACTED = 16.4  
 EXTENDED = 26.4  
 EXTENSION FORCE @ 100PSI= 962 LBS  
 RETRACT FORCE @ 100PSI= 918 LBS

**PORTS ON SIDE**



TYPE OF PROJECTION  THIRD ANGLE PROJECTION	DO NOT SCALE DRAWING UNLESS OTHERWISE SPECIFIED DIMENSIONS ARE IN INCHES TOLERANCES ARE: DECIMALS X = $\pm$ .03 XX = $\pm$ .010 .XXX = $\pm$ .005 FRACTION = $\pm$ .015 ANGLES = $\pm$ 1/2°	 8178 EAST 44TH STREET TULSA, OK 74145	
		TITLE: <b>CYL 3.5 X 10 DA 10 BR</b>	
<b>PROPRIETARY AND CONFIDENTIAL</b> THE INFORMATION CONTAINED IN THIS DRAWING IS THE SOLE PROPERTY OF APSCO Inc.. ANY REPRODUCTION IN PART OR AS A WHOLE WITHOUT WRITTEN PERMISSION OF APSCO Inc. IS PROHIBITED.	SURFACE TEXTURE OR BETTER MATERIAL N/A	DWG. NO. <b>C-6010</b>	REV -
	FINISH N/A	SIZE <b>B</b>	DRAWN PEREZ
F/N: C-6000 SERIES MASTER			CLASS CYL
SHT. 2 OF 2			