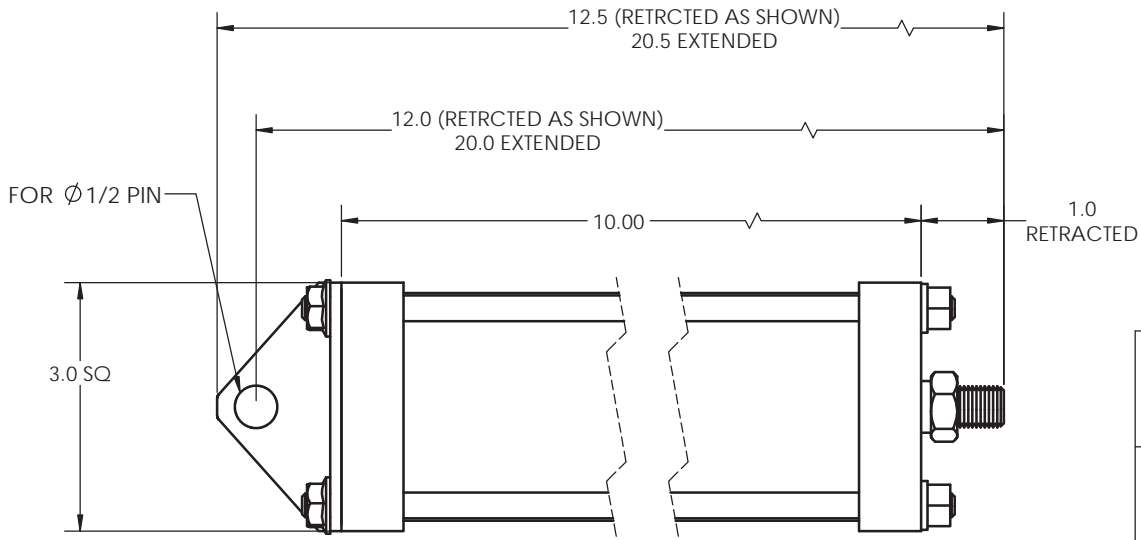
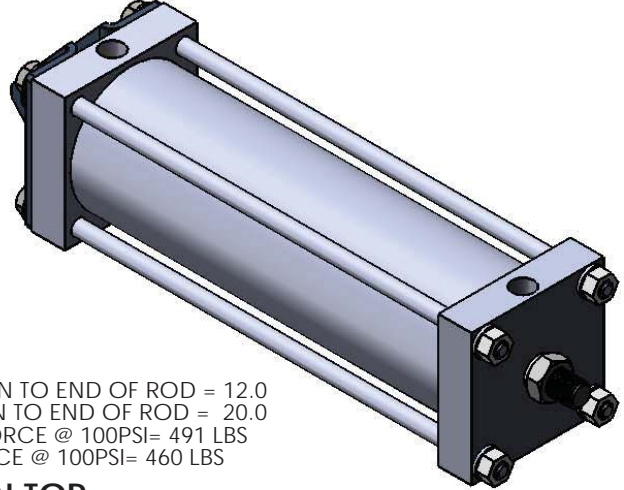
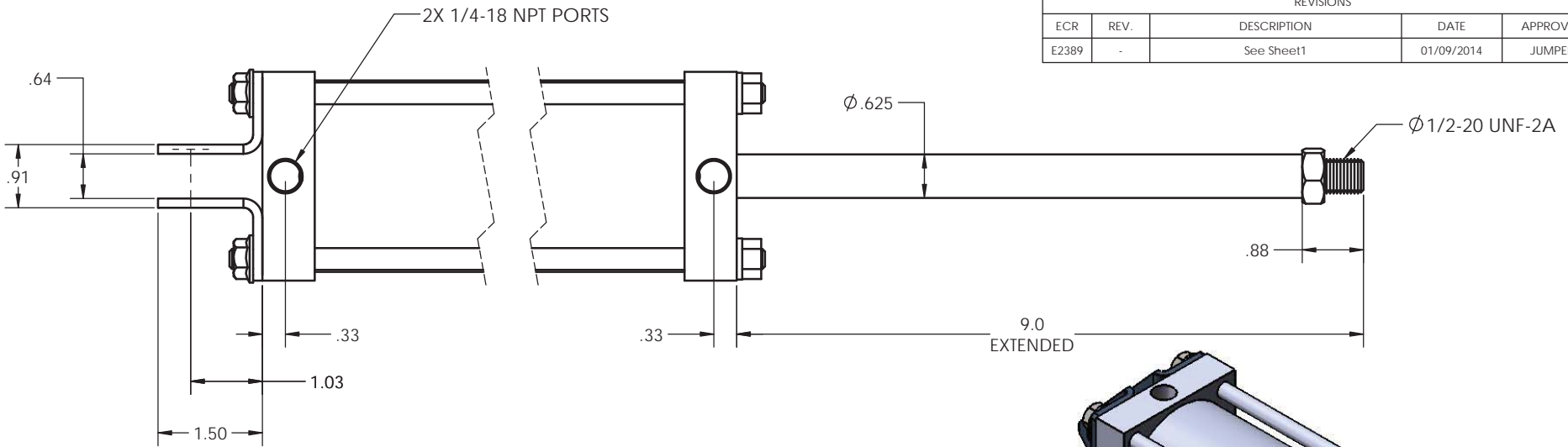


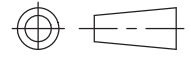

8 7 6 5 4 3 2 1

REVISIONS				
ECR	REV.	DESCRIPTION	DATE	APPROVED
E2389	-	See Sheet1	01/09/2014	JUMPER



NOTES:  
 BORE =  $\phi 2.5"$   
 STROKE = 8.0  
 RETRACTED PIN TO END OF ROD = 12.0  
 EXTENDED PIN TO END OF ROD = 20.0  
 EXTENSION FORCE @ 100PSI= 491 LBS  
 RETRACT FORCE @ 100PSI= 460 LBS

**PORTS ON TOP**

TYPE OF PROJECTION  THIRD ANGLE PROJECTION		DO NOT SCALE DRAWING UNLESS OTHERWISE SPECIFIED DIMENSIONS ARE IN INCHES TOLERANCES ARE: DECIMALS .X = $\pm .03$ .XX = $\pm .010$ .XXX = $\pm .005$ FRACTION = $\pm .015$ ANGLES = $\pm 1/2^\circ$		 8178 EAST 44TH STREET TULSA, OK 74145	
<b>PROPRIETARY AND CONFIDENTIAL</b> THE INFORMATION CONTAINED IN THIS DRAWING IS THE SOLE PROPERTY OF APSCO Inc.. ANY REPRODUCTION IN PART OR AS A WHOLE WITHOUT WRITTEN PERMISSION OF APSCO Inc. IS PROHIBITED.		SURFACE TEXTURE OR BETTER MATERIAL N/A FINISH N/A		TITLE: CYL. 2.5X8 DA 8 BR	
		DWG. NO. C-5450		REV -	
SIZE B		DRAWN JUMPER		DATE 01/09/2014	
		F/N: C-5000 SERIES MASTER		CLASS SHT. 2 OF 2	

8 7 6 5 4 3 2 1