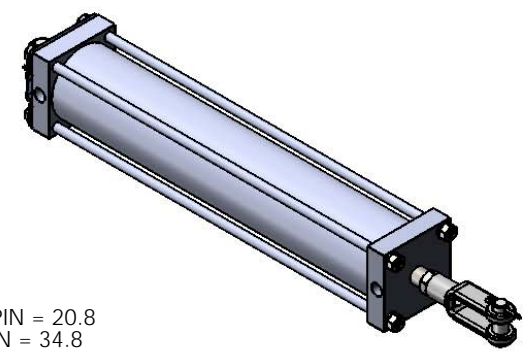
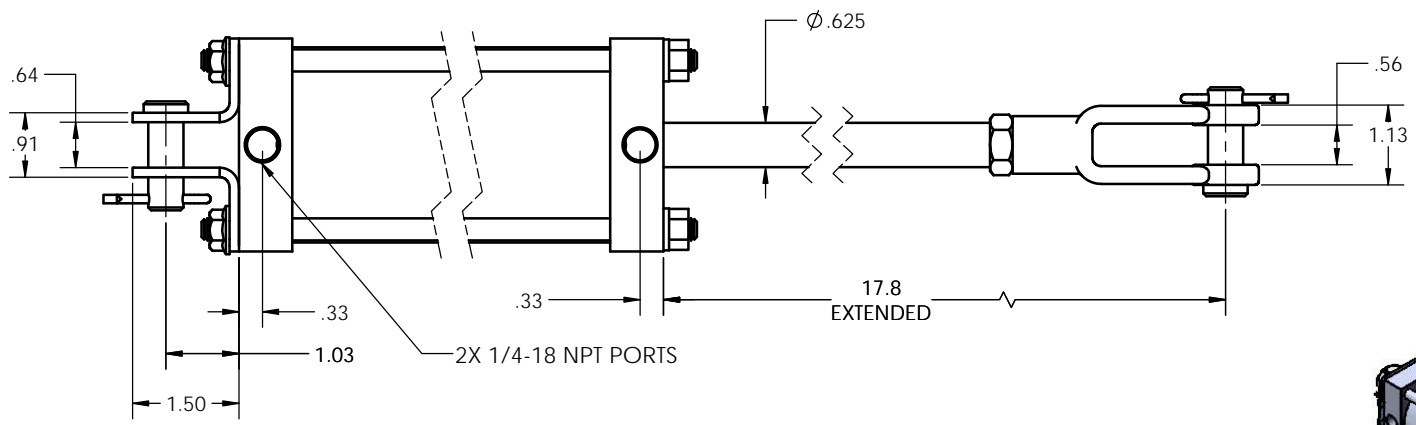


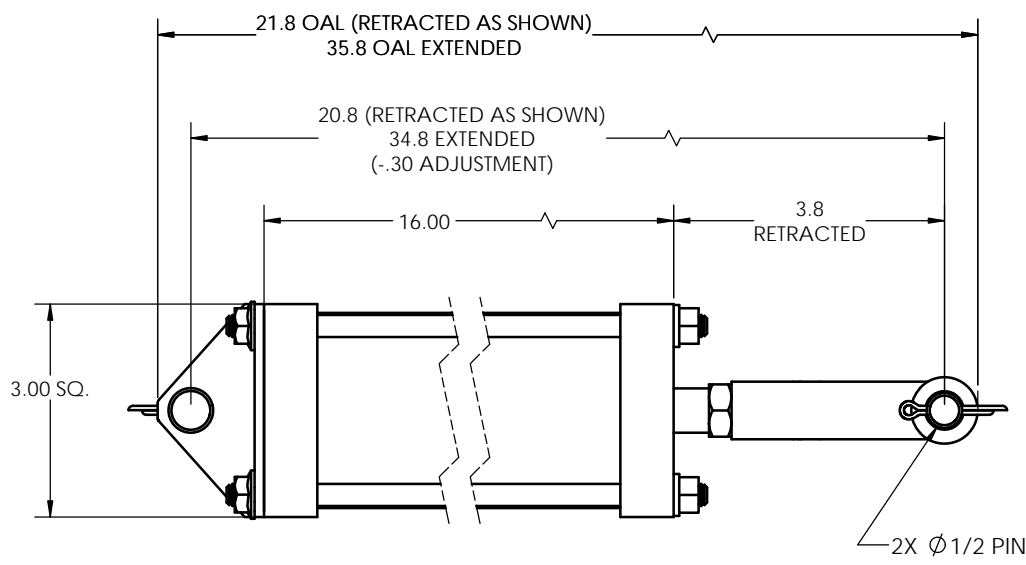
REVISIONS				
ECR	REV.	DESCRIPTION	DATE	APPROVED
E2520	-	See Sheet1	07/23/2014	PEREZ

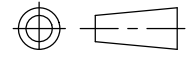



NOTES:

BORE = Ø 2.5"
 STROKE = 14.0
 RETRACTED PIN TO PIN = 20.8
 EXTENDED PIN TO PIN = 34.8
 EXTENSION FORCE @ 100PSI= 490 LBS
 RETRACT FORCE @ 100PSI= 460 LBS

PORTS ON TOP



TYPE OF PROJECTION  THIRD ANGLE PROJECTION	DO NOT SCALE DRAWING UNLESS OTHERWISE SPECIFIED DIMENSIONS ARE IN INCHES TOLERANCES ARE: DECIMALS .X = ±.03 .XX = ±.010 .XXX = ±.005 FRACTION = ±.015 ANGLES = ±1/2°	 8178 EAST 44TH STREET TULSA, OK 74145		
		PROPRIETARY AND CONFIDENTIAL THE INFORMATION CONTAINED IN THIS DRAWING IS THE SOLE PROPERTY OF APSCO Inc.. ANY REPRODUCTION IN PART OR AS A WHOLE WITHOUT WRITTEN PERMISSION OF APSCO Inc. IS PROHIBITED.	SURFACE TEXTURE OR BETTER MATERIAL N/A	DWG. NO. C-5331-PK
FINISH N/A	SIZE B	DRAWN PEREZ	DATE 07/21/2014	CLASS
F/N: C-5000 SERIES MASTER				SHT. 2 OF 2