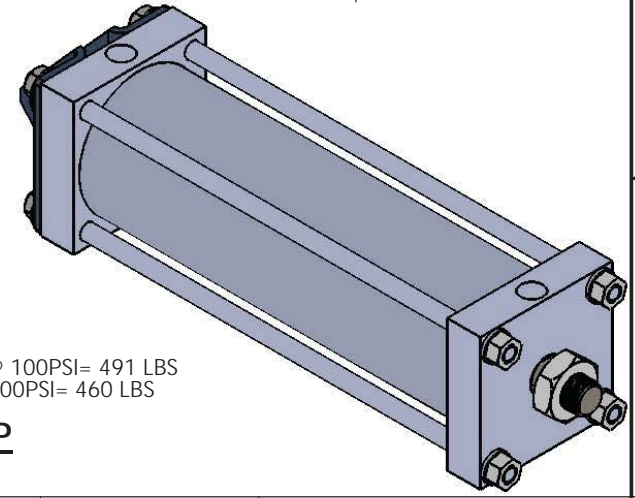
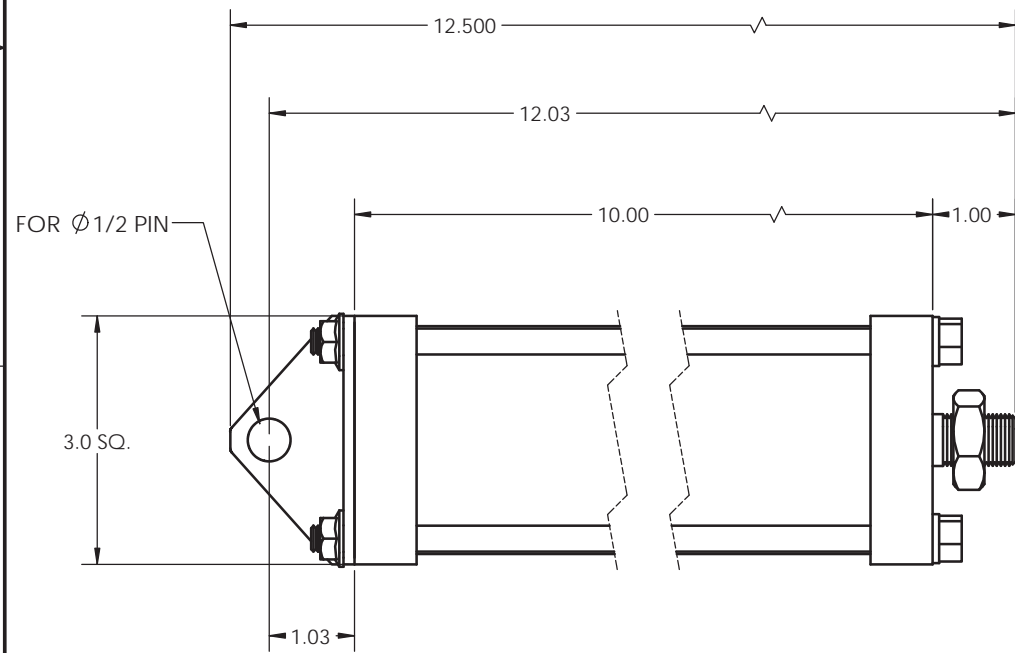
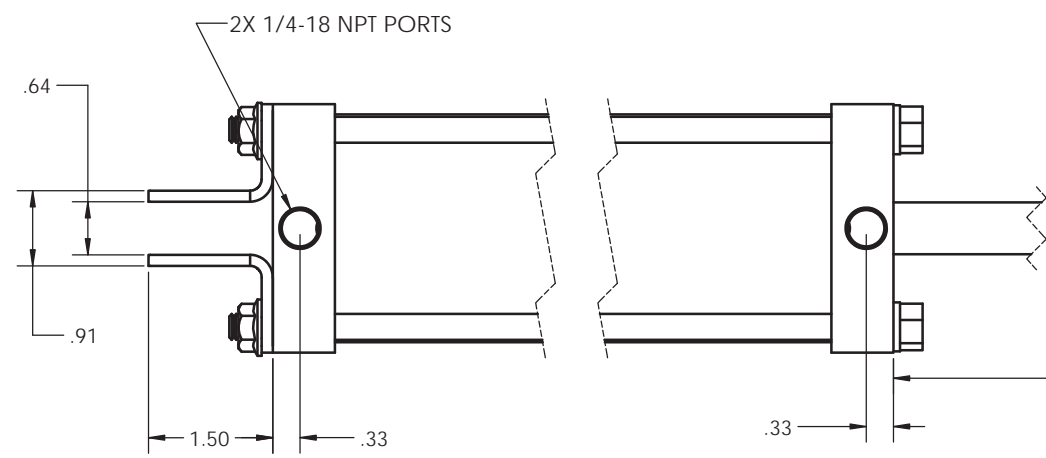
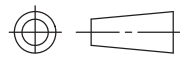



REVISIONS				
ECR	REV.	DESCRIPTION	DATE	APPROVED
E1862	-	See Sheet1	10/10/2012	JUMPER



NOTES:  
 BORE =  $\varnothing 2.5"$   
 STROKE = 8.0  
 RETRACTED = 12.0  
 EXTENDED = 20.0  
 EXTENSION FORCE @ 100PSI= 491 LBS  
 RETRACT FORCE @ 100PSI= 460 LBS

**PORTS ON TOP**

TYPE OF PROJECTION  THIRD ANGLE PROJECTION	DO NOT SCALE DRAWING UNLESS OTHERWISE SPECIFIED DIMENSIONS ARE IN INCHES TOLERANCES ARE: DECIMALS X = $\pm 0.03$ XX = $\pm 0.10$ XXX = $\pm 0.05$ FRACTION = $\pm 0.015$ ANGLES = $\pm 1/2^\circ$ $\frac{63}{100}$	 8178 EAST 44TH STREET TULSA, OK 74145	
		TITLE: <b>CYL. 2.5X8 DA 10 BR</b>	
<b>PROPRIETARY AND CONFIDENTIAL</b> THE INFORMATION CONTAINED IN THIS DRAWING IS THE SOLE PROPERTY OF APSCO Inc.. ANY REPRODUCTION IN PART OR AS A WHOLE WITHOUT WRITTEN PERMISSION OF APSCO Inc. IS PROHIBITED.	SURFACE TEXTURE OR BETTER MATERIAL N/A	DWG. NO. <b>C-5094</b>	REV -
	FINISH N/A	SIZE <b>B</b>	DRAWN JUMPER
F/N: C-5000 SERIES MASTER			SHT. 2 OF 2