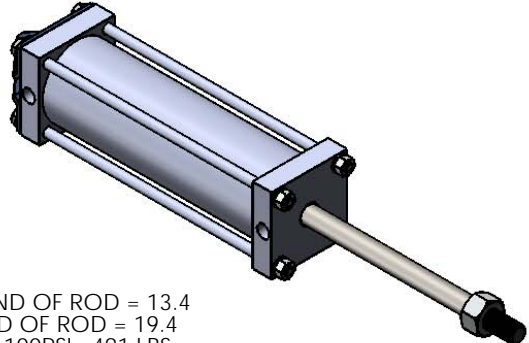
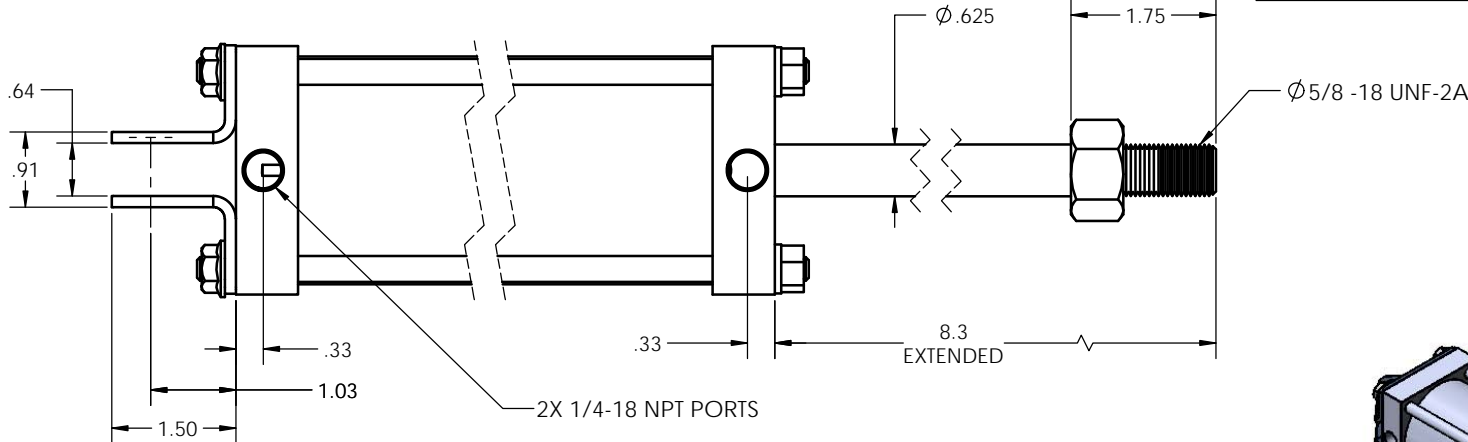


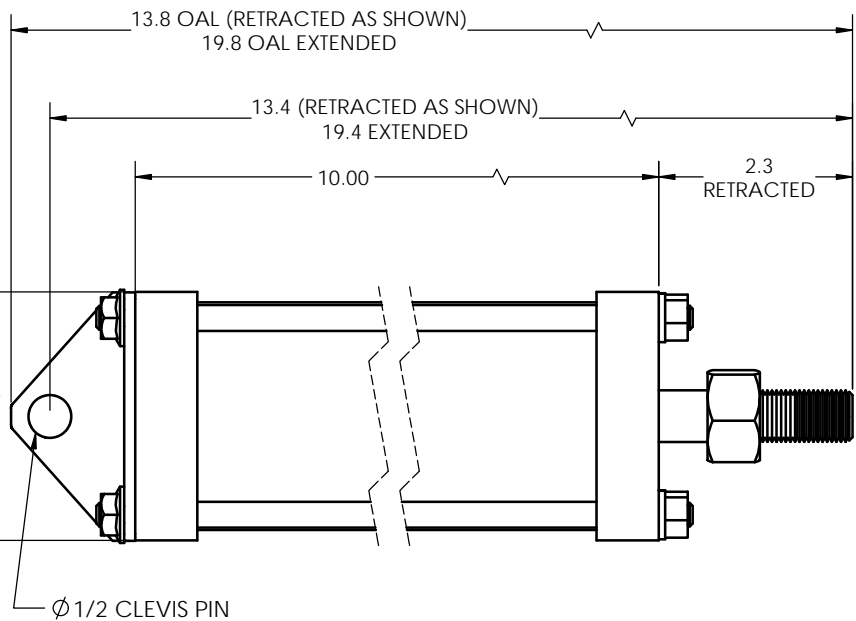
8 7 6 5 4 3 2 1

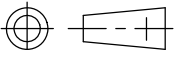

REVISIONS				
ECR	REV.	DESCRIPTION	DATE	APPROVED
E2520	-	See Sheet1	07/25/2014	PEREZ



NOTES:
 BORE = $\phi 2.5"$
 STROKE = 6.0
 RETRACTED PIN TO END OF ROD = 13.4
 EXTENDED PIN TO END OF ROD = 19.4
 EXTENSION FORCE @ 100PSI= 491 LBS
 RETRACT FORCE @ 100PSI= 460 LBS
 SPRING PRELOAD : 33.26 LBS
 SPRING RATE : 8.6 LBS/IN

PORTS ON TOP



TYPE OF PROJECTION  THIRD ANGLE PROJECTION	DO NOT SCALE DRAWING UNLESS OTHERWISE SPECIFIED DIMENSIONS ARE IN INCHES TOLERANCES ARE: DECIMALS .X = $\pm .03$.XX = $\pm .010$.XXX = $\pm .005$ FRACTION = $\pm .015$ ANGLES = $\pm 1/2^\circ$	 8178 EAST 44TH STREET TULSA, OK 74145		
		PROPRIETARY AND CONFIDENTIAL THE INFORMATION CONTAINED IN THIS DRAWING IS THE SOLE PROPERTY OF APSCO Inc.. ANY REPRODUCTION IN PART OR AS A WHOLE WITHOUT WRITTEN PERMISSION OF APSCO Inc. IS PROHIBITED.	SURFACE TEXTURE OR BETTER MATERIAL N/A FINISH N/A	TITLE: CYL. 2.5X6 SE 10 BR
		SIZE B DRAWN PEREZ	DATE 07/25/2014 CLASS	F/N: C-5000 SERIES MASTER SHT. 2 OF 2

8 7 6 5 4 3 2 1