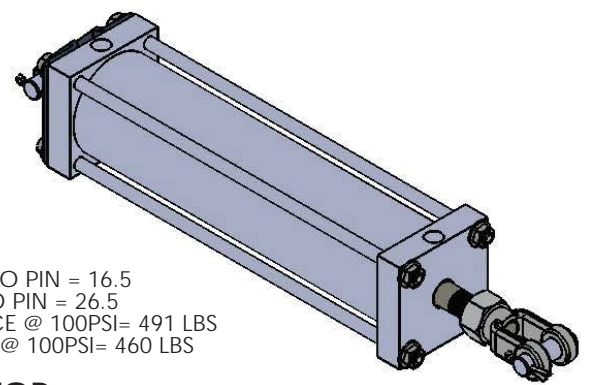
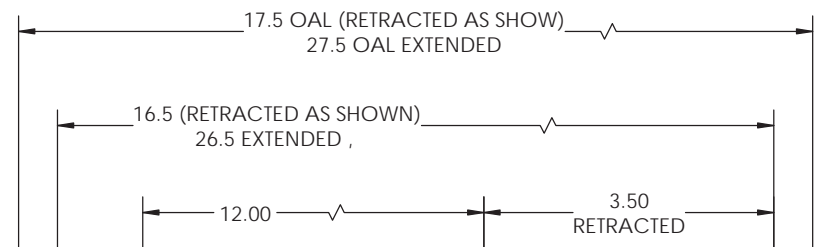
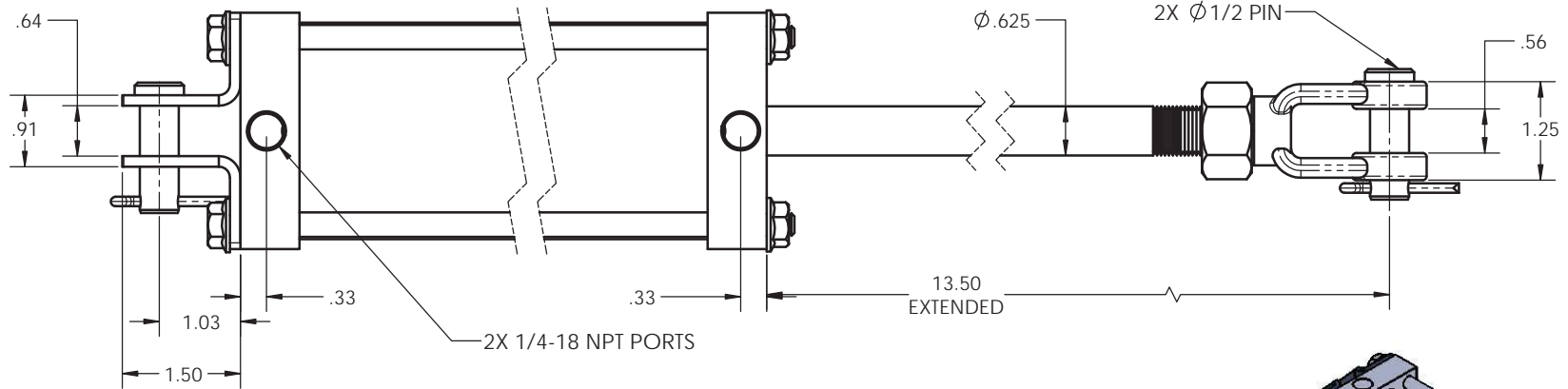


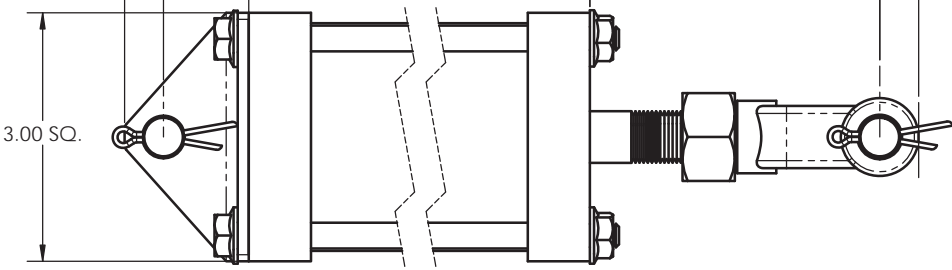
8 7 6 5 4 3 2 1

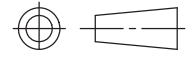

REVISIONS				
ECR	REV.	DESCRIPTION	DATE	APPROVED
E1985	-	See Sheet1	01/21/13	JUMPER



NOTES:
 BORE = $\phi 2.5"$
 STROKE = 10.0
 RETRACTED PIN TO PIN = 16.5
 EXTENDED PIN TO PIN = 26.5
 EXTENSION FORCE @ 100PSI= 491 LBS
 RETRACT FORCE @ 100PSI= 460 LBS

PORTS ON TOP



TYPE OF PROJECTION  THIRD ANGLE PROJECTION	DO NOT SCALE DRAWING UNLESS OTHERWISE SPECIFIED DIMENSIONS ARE IN INCHES TOLERANCES ARE: DECIMALS .X = $\pm .03$.XX = $\pm .010$.XXX = $\pm .005$ FRACTION = $\pm .015$ ANGLES = $\pm 1/2^\circ$	 8178 EAST 44TH STREET TULSA, OK 74145			
		PROPRIETARY AND CONFIDENTIAL THE INFORMATION CONTAINED IN THIS DRAWING IS THE SOLE PROPERTY OF APSCO Inc.. ANY REPRODUCTION IN PART OR AS A WHOLE WITHOUT WRITTEN PERMISSION OF APSCO Inc. IS PROHIBITED.	SURFACE TEXTURE OR BETTER MATERIAL N/A FINISH N/A	TITLE: CYL. 2.5X10 DA 10 BR	DWG. NO. C-5081-PK
		SIZE B	DRAWN JUMPER	DATE 01/21/2013	REV - CLASS
				F/N: C-5000 SERIES MASTER	SHT. 2 OF 2

8 7 6 5 4 3 2 1