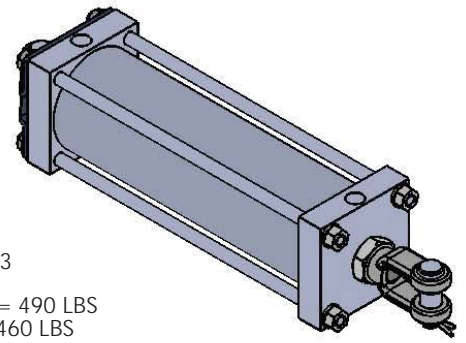
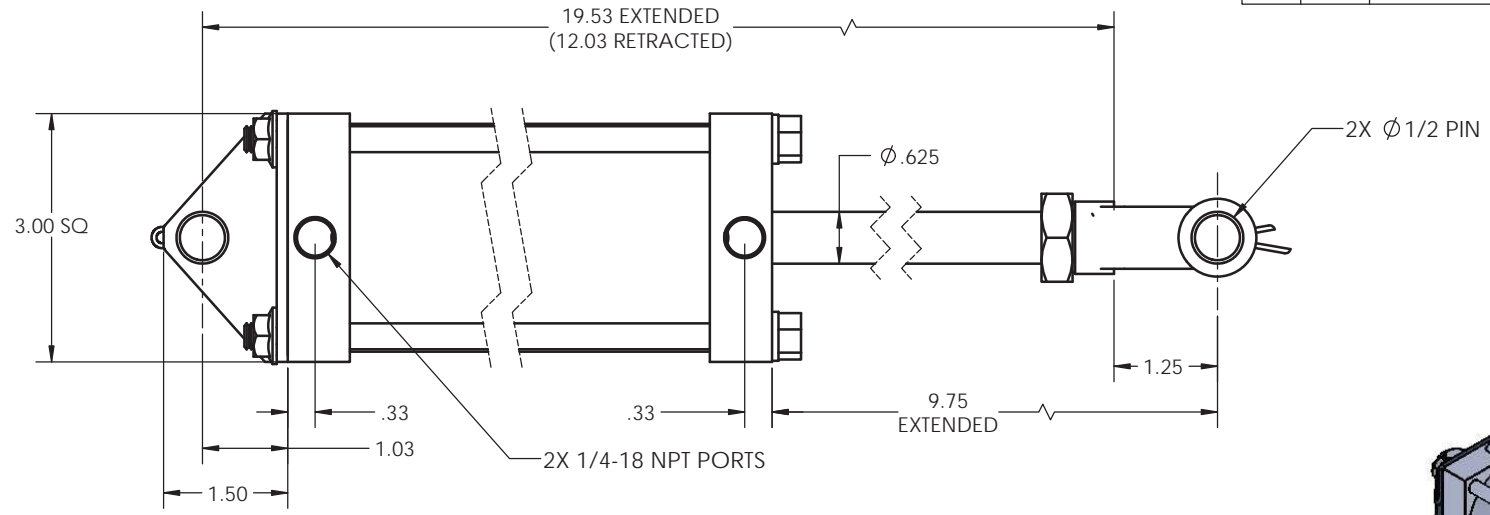


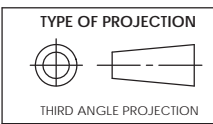
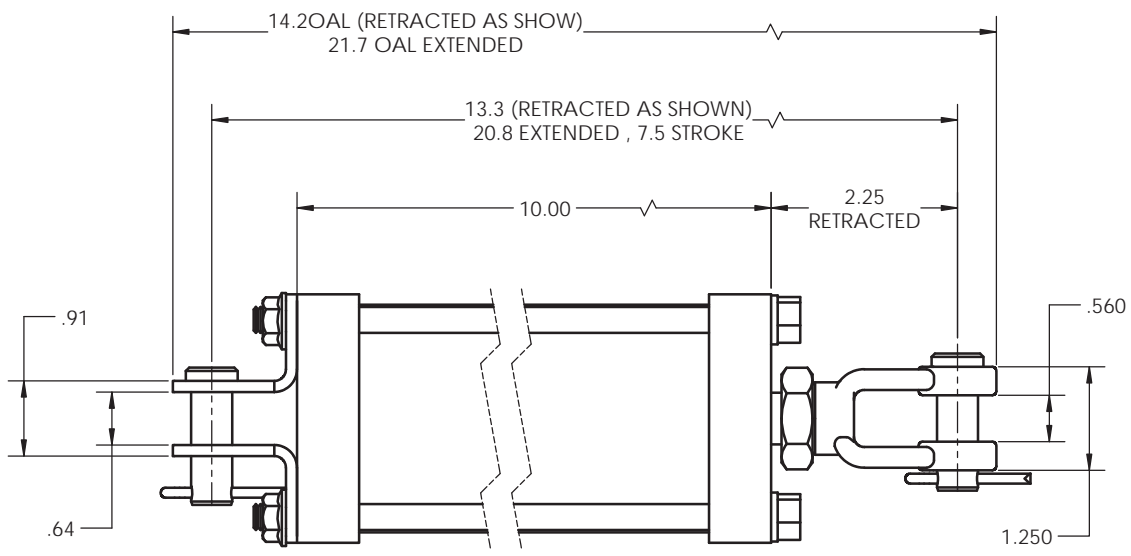
REVISIONS				
ECR	REV.	DESCRIPTION	DATE	APPROVED
E1624	A	See Sheet1	12/09/2011	JUMPER



NOTES:

BORE = Ø 2.5"
 STROKE = 7.5
 RETRACTED PIN TO PIN = 13.3
 EXTENDED PIN TO PIN = 20.8
 EXTENSION FORCE @ 100PSI= 490 LBS
 RETRACT FORCE @ 100PSI= 460 LBS

PORTS ON SIDE



PROPRIETARY AND CONFIDENTIAL
 THE INFORMATION CONTAINED IN THIS DRAWING IS THE SOLE PROPERTY OF APSCO Inc.. ANY REPRODUCTION IN PART OR AS A WHOLE WITHOUT WRITTEN PERMISSION OF APSCO Inc. IS PROHIBITED.

TYPE OF PROJECTION	DO NOT SCALE DRAWING UNLESS OTHERWISE SPECIFIED DIMENSIONS ARE IN INCHES
	TOLERANCES ARE: DECIMALS X = ±.03 .XX = ±.010 .XXX = ±.005 FRACTION = ±.015 ANGLES = ±1/2°
SURFACE TEXTURE OR BETTER	63/
MATERIAL	N/A
FINISH	N/A



TITLE: CYL 2.5" X 7.5" W/ PIN KIT			
DWG. NO. C-5075-PK		REV A	
SIZE B	DRAWN JUMPER	DATE 11/29/2011	CLASS
F/N: C-5000 SERIES MASTER			SHEET 2 OF 2