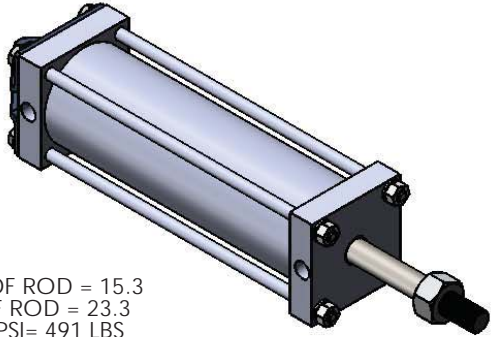
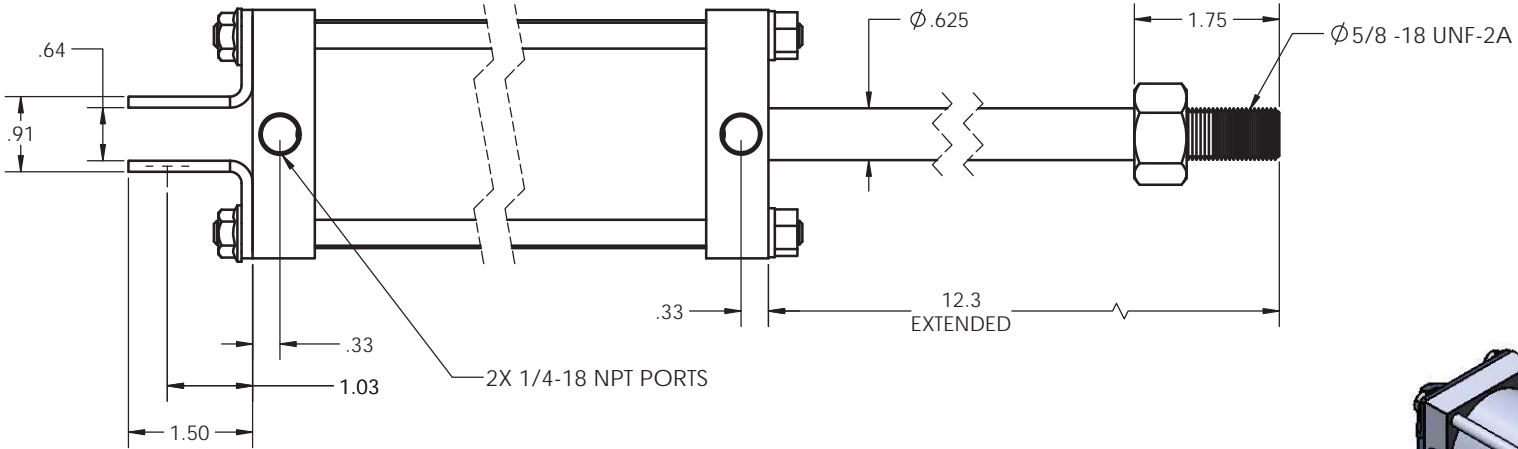


8 7 6 5 4 3 2 1

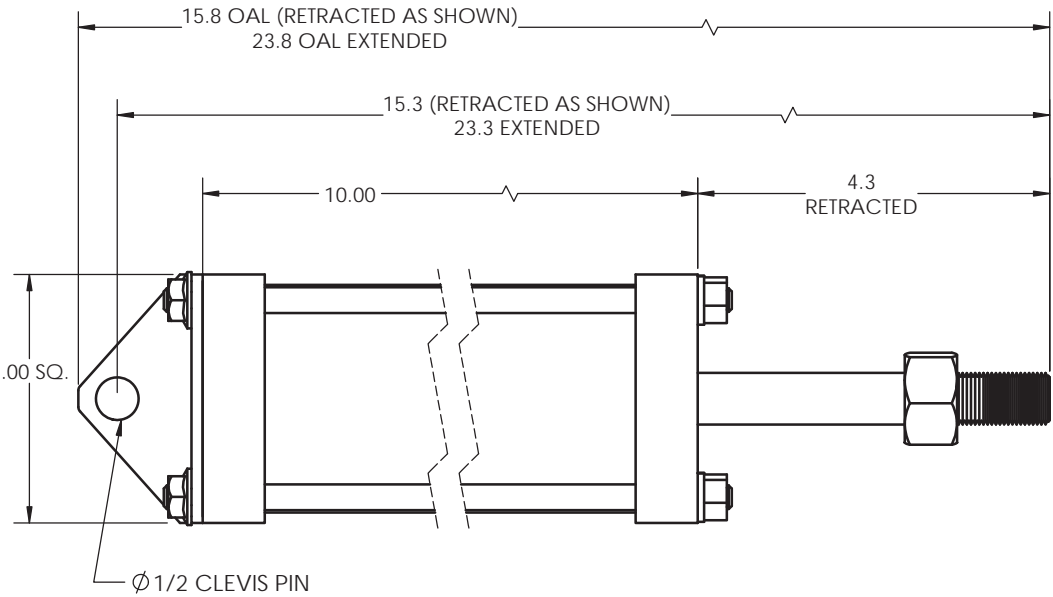
REVISIONS				
ECR	REV.	DESCRIPTION	DATE	APPROVED
E2520	-	See Sheet1	07/15/2014	PEREZ

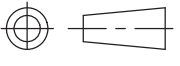



**NOTES:**

BORE = Ø 2.5"  
 STROKE = 8.0  
 RETRACTED PIN TO END OF ROD = 15.3  
 EXTENDED PIN TO END OF ROD = 23.3  
 EXTENSION FORCE @ 100PSI= 491 LBS  
 RETRACT FORCE @ 100PSI= 460 LBS

**PORTS ON TOP**



TYPE OF PROJECTION  THIRD ANGLE PROJECTION	DO NOT SCALE DRAWING UNLESS OTHERWISE SPECIFIED DIMENSIONS ARE IN INCHES TOLERANCES ARE: DECIMALS .X = ±.03 .XX = ±.010 .XXX = ±.005 FRACTION = ±.015 ANGLES = ±1/2°	 8178 EAST 44TH STREET TULSA, OK 74145	
PROPRIETARY AND CONFIDENTIAL THE INFORMATION CONTAINED IN THIS DRAWING IS THE SOLE PROPERTY OF APSCO Inc.. ANY REPRODUCTION IN PART OR AS A WHOLE WITHOUT WRITTEN PERMISSION OF APSCO Inc. IS PROHIBITED.	SURFACE TEXTURE OR BETTER MATERIAL N/A FINISH N/A		TITLE: CYL. 2.5X8 DA 10 BR
DWG. NO. C-5072		REV -	
SIZE B	DRAWN PEREZ	DATE 07/15/2014	CLASS
F/N: C-5000 SERIES MASTER			SHT. 2 OF 2

8 7 6 5 4 3 2 1