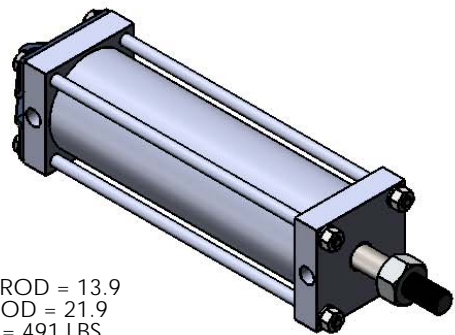
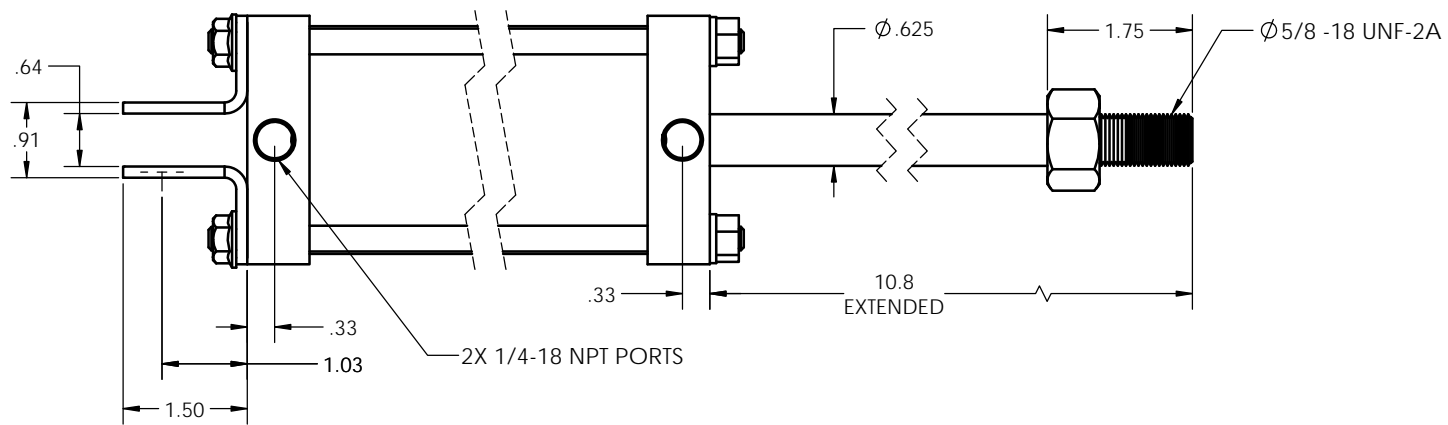


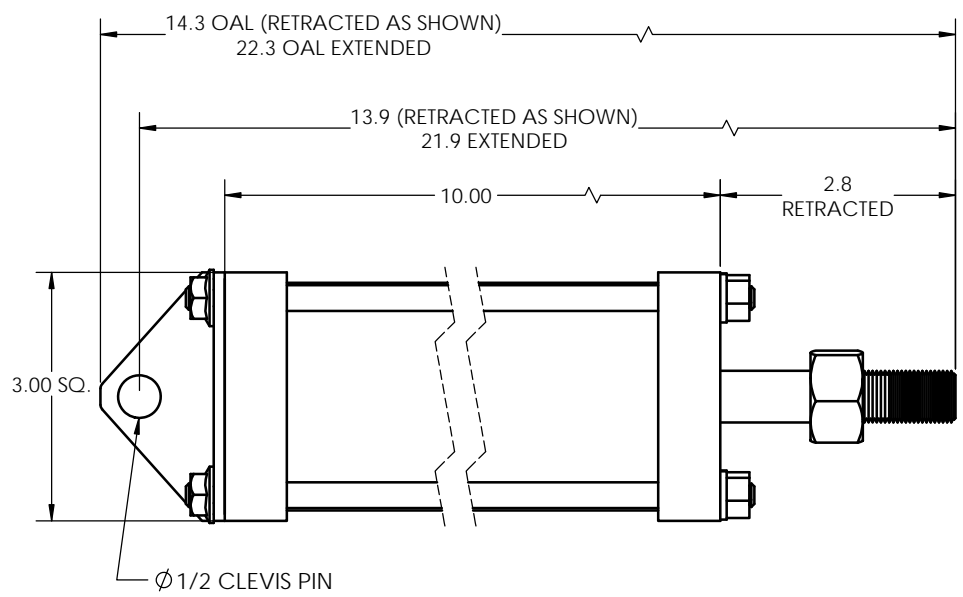
REVISIONS				
ECR	REV.	DESCRIPTION	DATE	APPROVED
E2520	-	See Sheet1	07/15/2014	PEREZ



NOTES:

- BORE = $\varnothing 2.5"$
- STROKE = 8.0
- RETRACTED PIN TO END OF ROD = 13.9
- EXTENDED PIN TO END OF ROD = 21.9
- EXTENSION FORCE @ 100PSI= 491 LBS
- RETRACT FORCE @ 100PSI= 460 LBS

PORTS ON TOP



<p>TYPE OF PROJECTION</p> <p>THIRD ANGLE PROJECTION</p>	<p>DO NOT SCALE DRAWING UNLESS OTHERWISE SPECIFIED DIMENSIONS ARE IN INCHES TOLERANCES ARE: DECIMALS .X = ±.03 .XX = ±.010 .XXX = ±.005 FRACTION = ±.015 ANGLES = ±1/2°</p>	<p>8178 EAST 44TH STREET TULSA, OK 74145</p>			
		<p>PROPRIETARY AND CONFIDENTIAL</p> <p>THE INFORMATION CONTAINED IN THIS DRAWING IS THE SOLE PROPERTY OF APSCO Inc.. ANY REPRODUCTION IN PART OR AS A WHOLE WITHOUT WRITTEN PERMISSION OF APSCO Inc. IS PROHIBITED.</p>	<p>SURFACE TEXTURE OR BETTER</p> <p>MATERIAL N/A</p> <p>FINISH N/A</p>	<p>TITLE:</p> <p>CYL. 2.5X8 DA 10 BR</p>	<p>DWG. NO.</p> <p>C-5070S</p>
		<p>SIZE</p> <p>B</p>	<p>DRAWN</p> <p>PEREZ</p>	<p>DATE</p> <p>07/15/2014</p>	<p>REV</p> <p>-</p>
				<p>F/N: C-5000 SERIES MASTER</p>	<p>SHT. 2 OF 2</p>