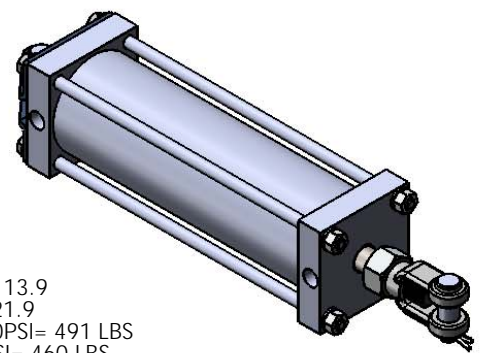
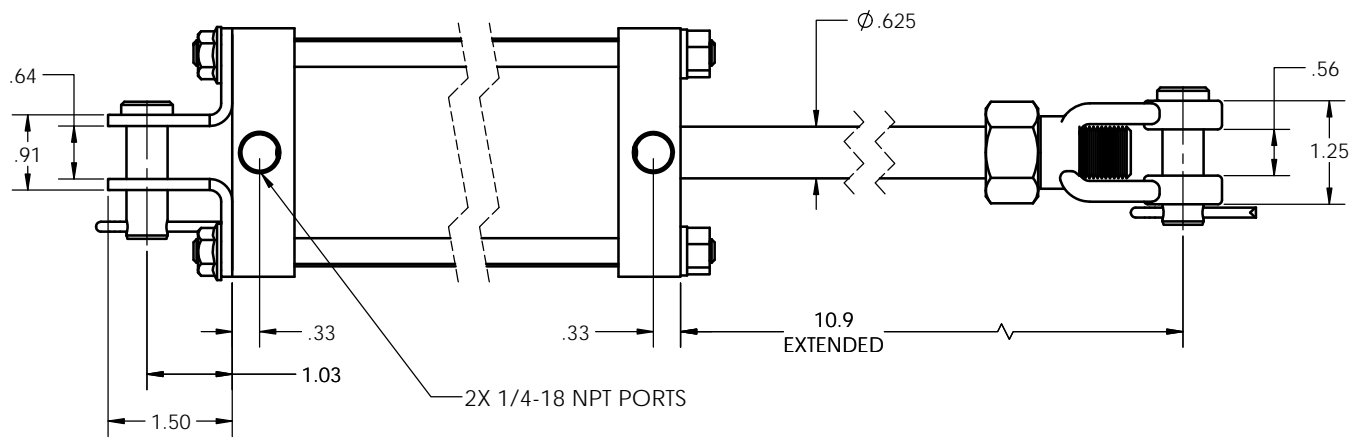


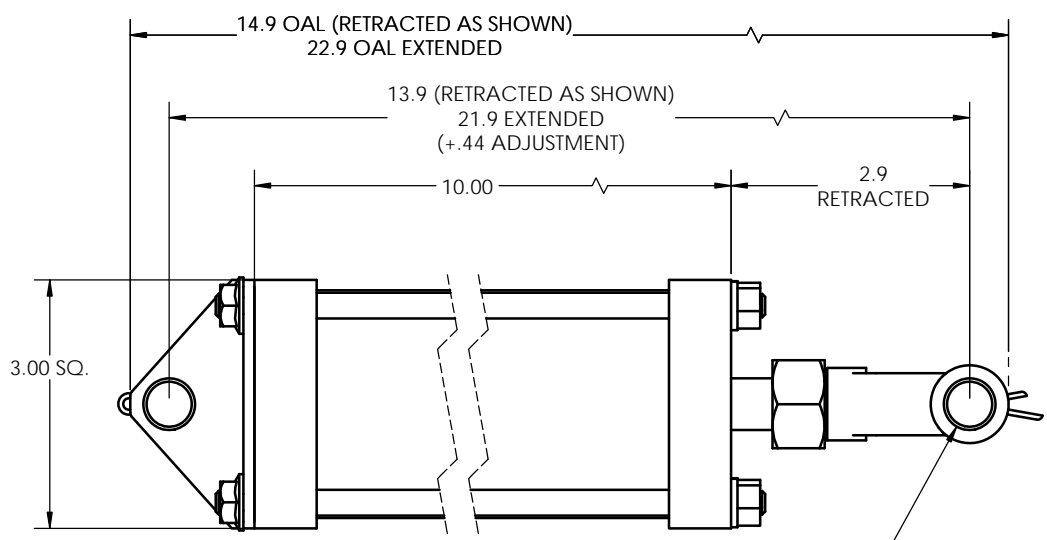
REVISIONS				
ECR	REV.	DESCRIPTION	DATE	APPROVED
E2520	-	See Sheet1	07/15/2014	PEREZ

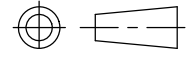



NOTES:

BORE = Ø2.5"  
 STROKE = 8.0  
 RETRACTED PIN TO PIN = 13.9  
 EXTENDED PIN TO PIN = 21.9  
 EXTENSION FORCE @ 100PSI= 491 LBS  
 RETRACT FORCE @ 100PSI= 460 LBS

**PORTS ON TOP**



TYPE OF PROJECTION  THIRD ANGLE PROJECTION	DO NOT SCALE DRAWING UNLESS OTHERWISE SPECIFIED DIMENSIONS ARE IN INCHES TOLERANCES ARE: DECIMALS .X = ±.03 .XX = ±.010 .XXX = ±.005 FRACTION = ±.015 ANGLES = ±1/2°	 8178 EAST 44TH STREET TULSA, OK 74145	
<b>PROPRIETARY AND CONFIDENTIAL</b> THE INFORMATION CONTAINED IN THIS DRAWING IS THE SOLE PROPERTY OF APSCO Inc.. ANY REPRODUCTION IN PART OR AS A WHOLE WITHOUT WRITTEN PERMISSION OF APSCO Inc. IS PROHIBITED.	SURFACE TEXTURE OR BETTER MATERIAL N/A FINISH N/A		
TITLE: CYL 2.5X8 DA 10BR		DWG. NO. C-5070-PK REV -	
SIZE B	DRAWN PEREZ		DATE 07/14/2014
F/N: C-5000 SERIES MASTER		SHT. 2 OF 2	