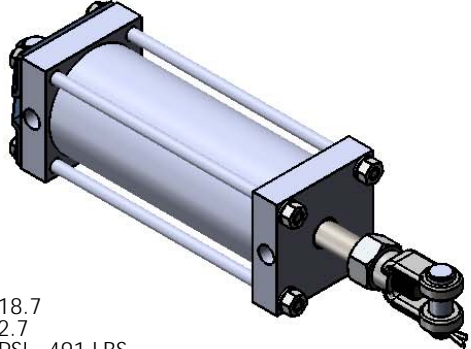
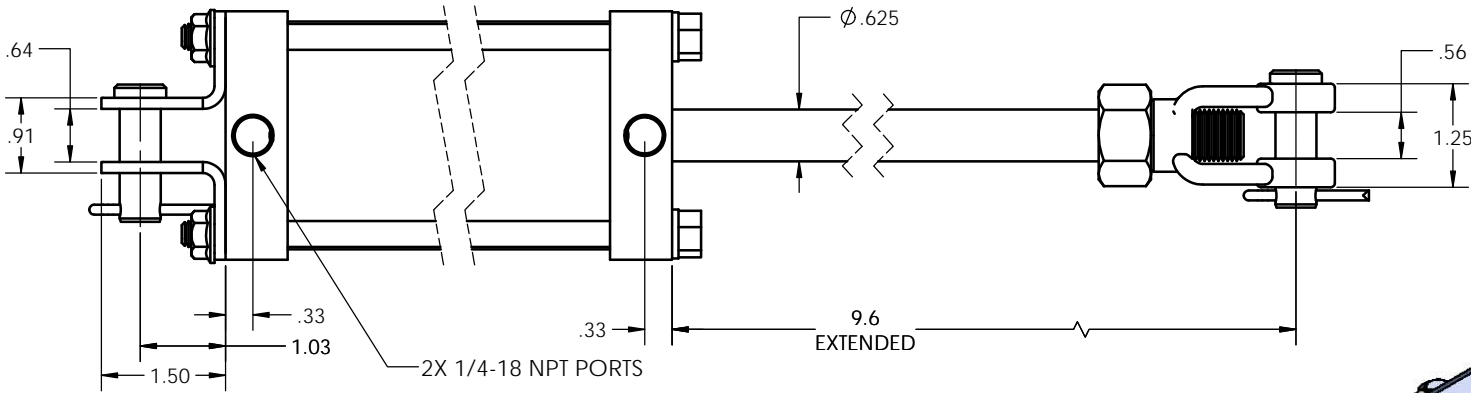


8 7 6 5 4 3 2 1

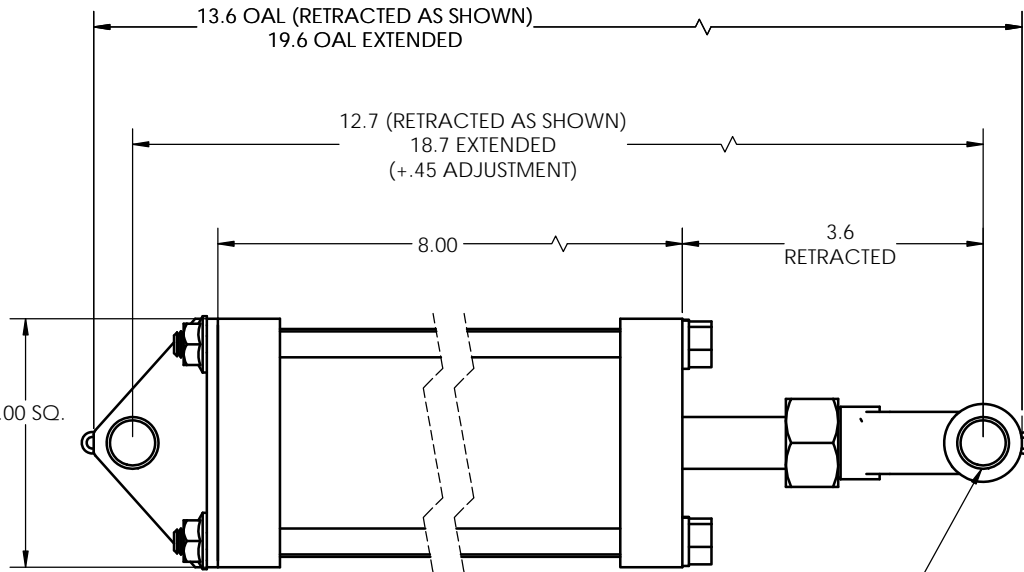
REVISIONS				
ECR	REV.	DESCRIPTION	DATE	APPROVED
E2520	-	See Sheet1	07/24/2014	PEREZ

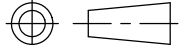



NOTES:

BORE = $\varnothing 2.5"$
 STROKE = 6.0
 RETRACTED PIN TO PIN = 18.7
 EXTENDED PIN TO PIN = 12.7
 EXTENSION FORCE @ 100PSI= 491 LBS
 RETRACT FORCE @ 100PSI= 460 LBS

PORTS ON TOP



TYPE OF PROJECTION  THIRD ANGLE PROJECTION	DO NOT SCALE DRAWING UNLESS OTHERWISE SPECIFIED DIMENSIONS ARE IN INCHES TOLERANCES ARE: DECIMALS .X = $\pm .03$.XX = $\pm .010$.XXX = $\pm .005$ FRACTION = $\pm .015$ ANGLES = $\pm 1/2^\circ$ $\sqrt{63}$ SURFACE TEXTURE OR BETTER MATERIAL N/A FINISH N/A	 8178 EAST 44TH STREET TULSA, OK 74145
PROPRIETARY AND CONFIDENTIAL THE INFORMATION CONTAINED IN THIS DRAWING IS THE SOLE PROPERTY OF APSCO Inc.. ANY REPRODUCTION IN PART OR AS A WHOLE WITHOUT WRITTEN PERMISSION OF APSCO Inc. IS PROHIBITED.	TITLE: CYLINDER DA 2.5 x 6.0	
	DWG. NO. C-5026-PK	REV -
	SIZE B	DRAWN PEREZ
	DATE 07/24/2014	CLASS
	F/N: C-5000 SERIES MASTER	
		SHT. 2 OF 2

8 7 6 5 4 3 2 1