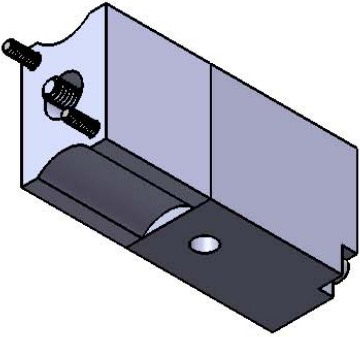
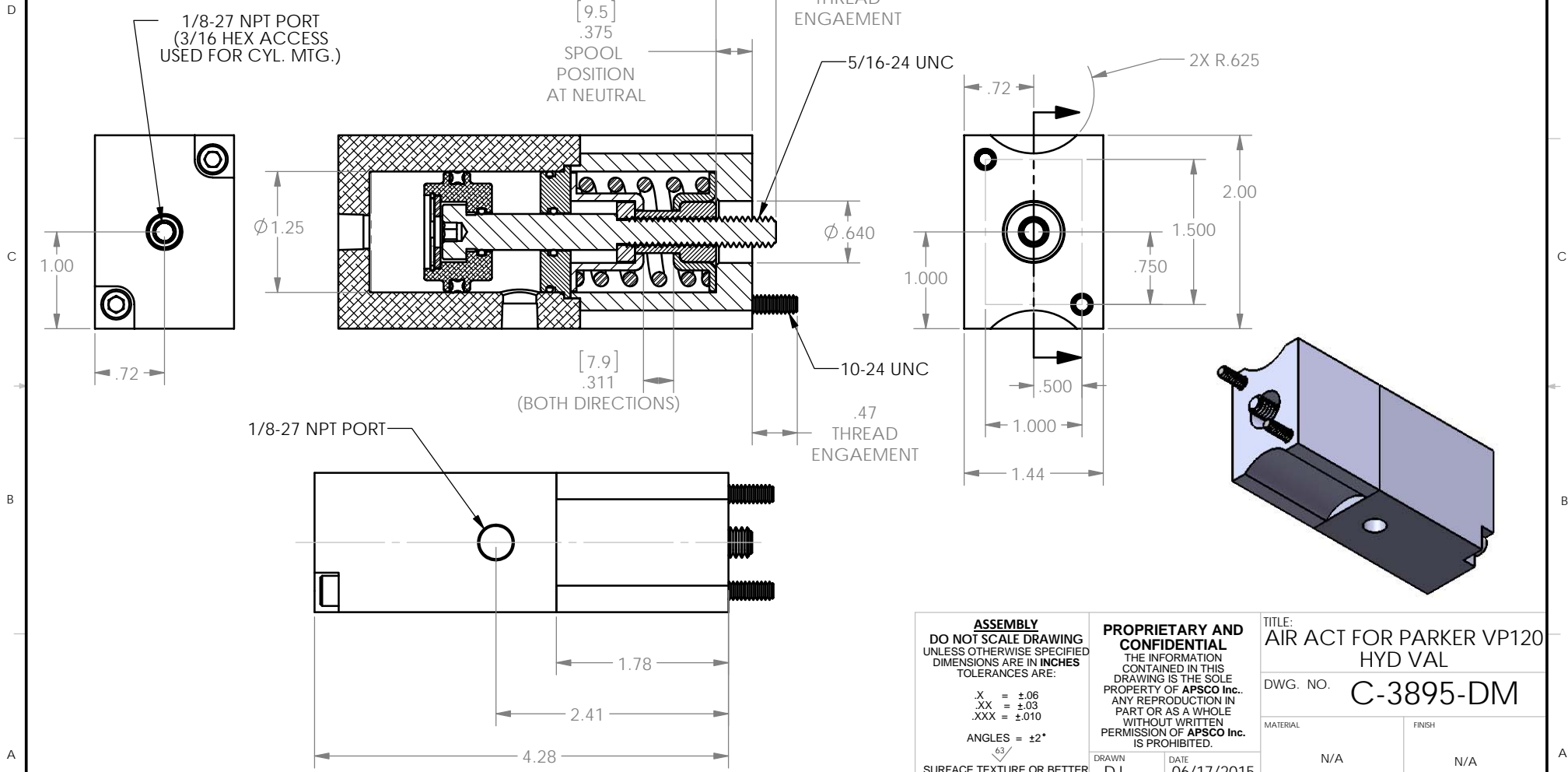


8 7 6 5

REVISIONS				
ECR	REV	DESCRIPTION	DATE	APPROVED
E2799	P-1	See Sheet1	6/11/2015	JUMPER



1. NEUTRAL POSITION SHOWN
2. SPRING PRELOAD = 20.2 LBS
3. STROKE = .311 (7.9mm)
4. MIN. EXTENSION FORCE @ 100 PSI AT FULL STROKE = 52 LBS
5. MIN. RETRACT FORCE @ 100 PSI AT FUL STROKE = 41 LBS

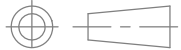
ASSEMBLY
DO NOT SCALE DRAWING
UNLESS OTHERWISE SPECIFIED
DIMENSIONS ARE IN INCHES
TOLERANCES ARE:

.X = ±.06
.XX = ±.03
.XXX = ±.010

ANGLES = ±2°

63
SURFACE TEXTURE OR BETTER

TYPE OF PROJECTION



THIRD ANGLE PROJECTION

SHEET SIZE B

PROPRIETARY AND CONFIDENTIAL
THE INFORMATION CONTAINED IN THIS DRAWING IS THE SOLE PROPERTY OF APSCO Inc.. ANY REPRODUCTION IN PART OR AS A WHOLE WITHOUT WRITTEN PERMISSION OF APSCO Inc. IS PROHIBITED.

DRAWN DJ DATE 06/17/2015

CHECKED - DATE -

APPROVED - DATE -

FINAL FH DATE 6/11/2015

TITLE: AIR ACT FOR PARKER VP120 HYD VAL

DWG. NO. C-3895-DM

MATERIAL	FINISH
N/A	N/A

APSCO Inc.
8175 EAST 44TH STREET
TULSA, OK 74145

REV
P-1

F/N: C-3895-DM SHT. 2 OF 2

8 7 6 5 4 3 2 1