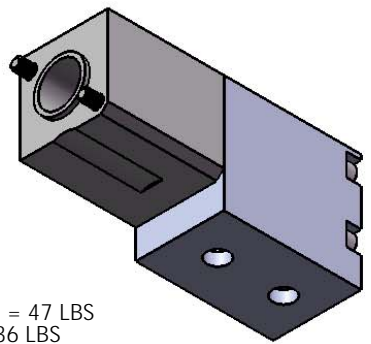
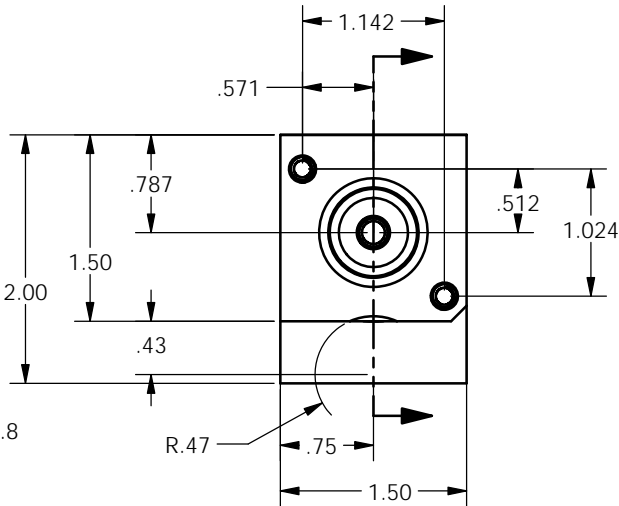
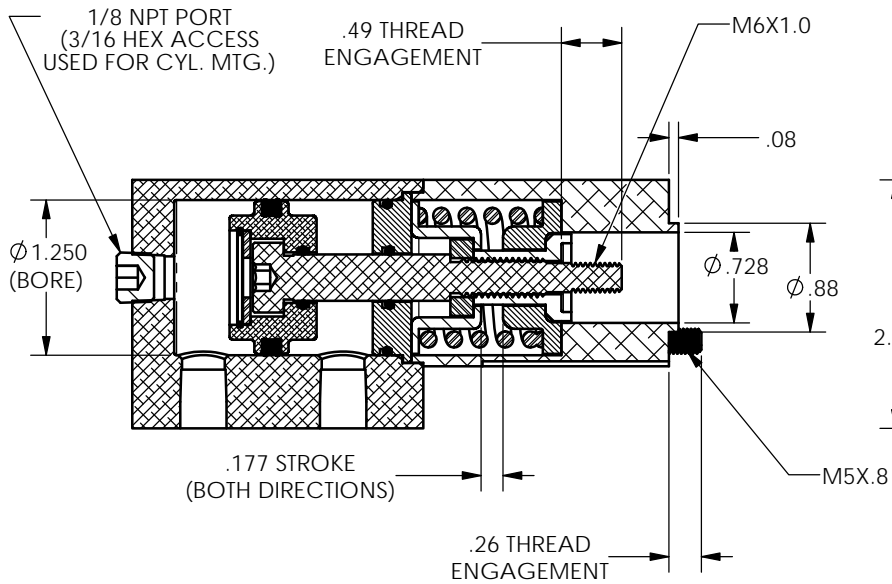
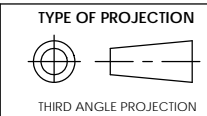
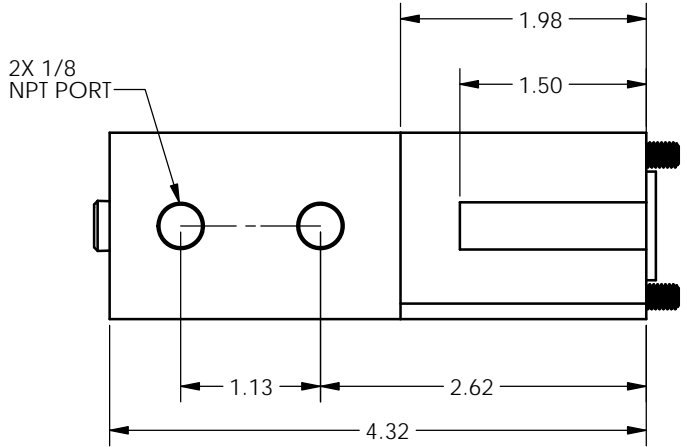


REVISIONS				
ECR	REV	DESCRIPTION	DATE	APPROVED
E2604	A	See Sheet1	10/08/2014	JUMPER



1. NEUTRAL POSITION SHOWN
2. SPRING PRELOAD = 56 LBS
3. MIN. EXTENSION FORCE @ 100 PSI AT FULL STROKE = 47 LBS
4. MIN. RETRACT FORCE @ 100 PSI AT FUL STROKE = 36 LBS



PROPRIETARY AND CONFIDENTIAL

THE INFORMATION CONTAINED IN THIS DRAWING IS THE SOLE PROPERTY OF APSCO Inc.. ANY REPRODUCTION IN PART OR AS A WHOLE WITHOUT WRITTEN PERMISSION OF APSCO Inc. IS PROHIBITED.

DO NOT SCALE DRAWING UNLESS OTHERWISE SPECIFIED DIMENSIONS ARE IN INCHES TOLERANCES ARE:
 DECIMALS
 .X = ±.03
 .XX = ±.010
 .XXX = ±.005
 FRACTION = ±.015
 ANGLES = ±1/2°

SURFACE TEXTURE OR BETTER
 MATERIAL N/A
 FINISH N/A



TITLE: AIR ACTUATOR HC-D4LS			
DWG. NO. C-3893-DM		REV A	
SIZE B	DRAWN JUMPER	DATE 06/23/2014	CLASS CYL
F/N: C-3000 SERIES			SHT. 2 OF 2