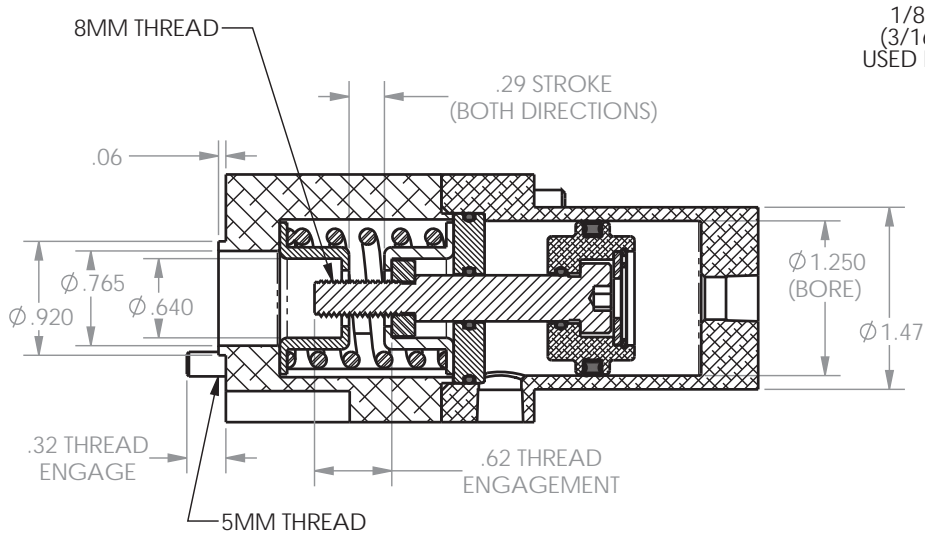
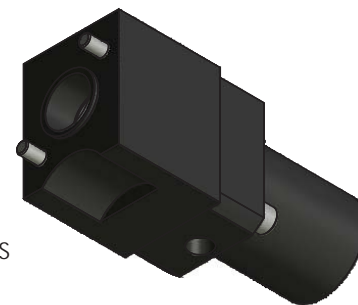
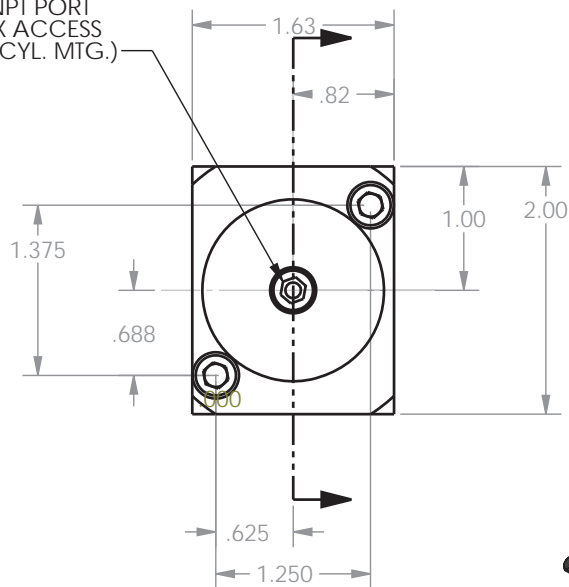


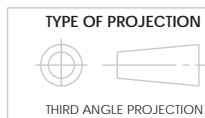
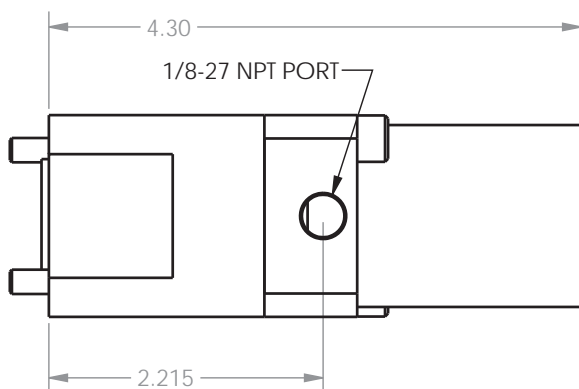
REVISIONS				
ECR	REV	DESCRIPTION	DATE	APPROVED
E1990	B	See Sheet1	01/21/2013	JUMPER



1/8-27 NPT PORT  
(3/16 HEX ACCESS  
USED FOR CYL. MTG.)



1. NEUTRAL POSITION SHOWN
2. SPRING PRELOAD = 23.9 LBS
3. MIN. EXTENSION FORCE @ 100 PSI AT FULL STROKE = 67 LBS
4. MIN. RETRACT FORCE @ 100 PSI AT FULL STROKE = 56 LBS
5. BLACK ANODIZED HOUSINGS



**PROPRIETARY AND CONFIDENTIAL**

THE INFORMATION CONTAINED IN THIS DRAWING IS THE SOLE PROPERTY OF APSCO Inc.. ANY REPRODUCTION IN PART OR AS A WHOLE WITHOUT WRITTEN PERMISSION OF APSCO Inc. IS PROHIBITED.

DO NOT SCALE DRAWING  
UNLESS OTHERWISE SPECIFIED  
DIMENSIONS ARE IN INCHES  
TOLERANCES ARE:  
DECIMALS  
.X =  $\pm .03$   
.XX =  $\pm .010$   
.XXX =  $\pm .005$   
FRACTION =  $\pm .015$   
ANGLES =  $\pm 1/2^\circ$

SURFACE TEXTURE OR BETTER  
MATERIAL

N/A

FINISH

N/A



TITLE: AIR ACT FOR DCV80  
HYD VAL

DWG. NO. C-3880-DM

REV B

SIZE	DRAWN	DATE	CLASS
B	WEM	03/12/2007	CYL

F/N:C-3000 SERIES

SHT. 2 OF 2