

BREVINI DCV80
INSTALLATION INSTRUCTIONS (METERING) C-3880-DM

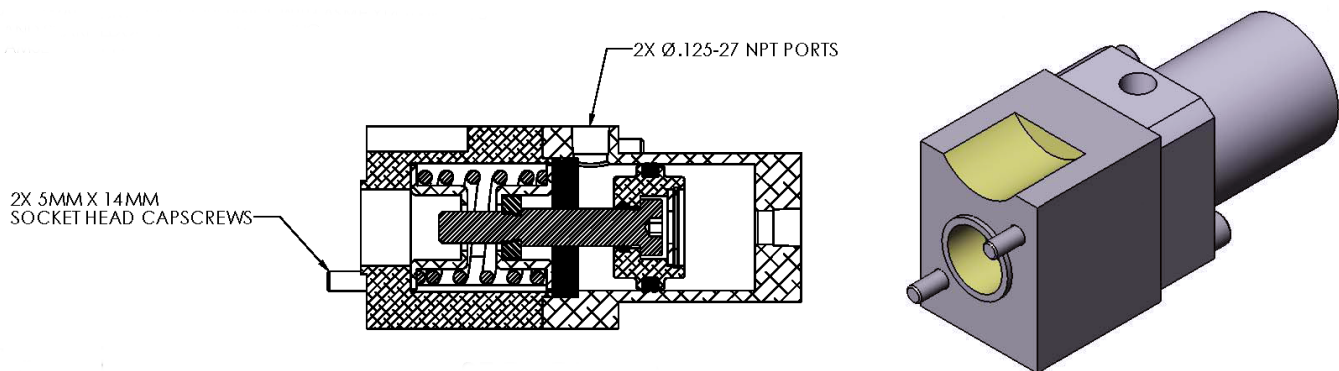
Prepare Valve for Installation:

1. Make sure valve spool and valve face are free of any foreign particles.
2. Remove four cap screws holding spring cover (opposite from handle assembly) on valve housing. Discard cover.
3. Remove shoulder bolt holding spring cups and spring. Discard bolt, spring cups, spring, and spacer washer. *Note:* O-ring must remain in recess groove of valve housing.

Installation of Cylinder:

Reference Drawing C-3880-DM

1. Apply Loc-tite threaded portion of valve spool.
2. Attach front spacer (1) to valve housing with two cap screws (2) using a 4mm hex wrench.
3. Slide flange bushing (3), spring (4), and flange bushing (3) over spool.
4. Cylinder assembly does not have to be disassembled to install.
5. Secure shoulder bolt (11) in the cylinder assembly (14) to valve spool by using a 3/16" hex wrench in rear fitting port of cylinder.
6. Secure cylinder body (14) to front spacer (1) with two cap screws (15) using a 3/16" socket wrench.
7. Test for proper alignment by shifting manual handle. Handle should return to hold position freely. *Note:* If handle does not move freely, apply pressure in a counter-clockwise direction to spool using Allen wrench in rear fitting port. Ensure piston assembly remained secure to valve spool.
8. Install fittings and airlines. Test for proper operation.



C-3880-DM