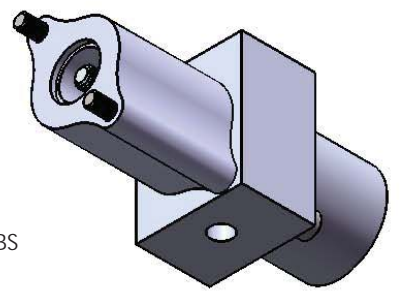
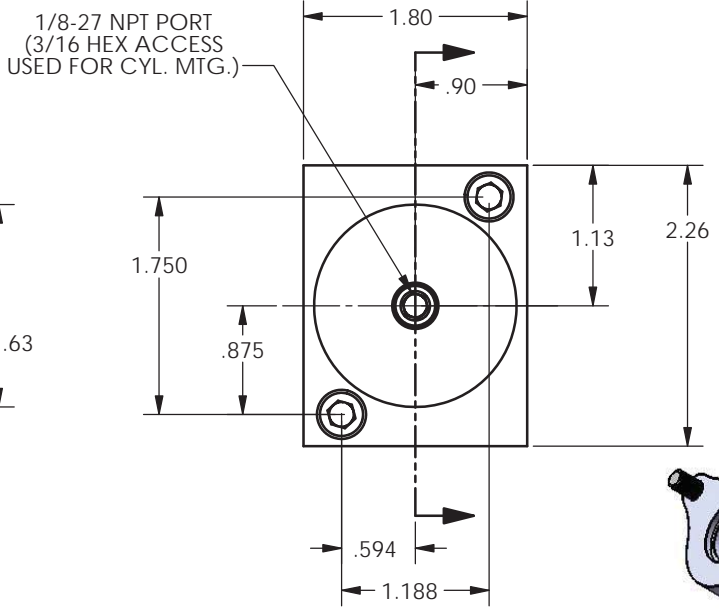
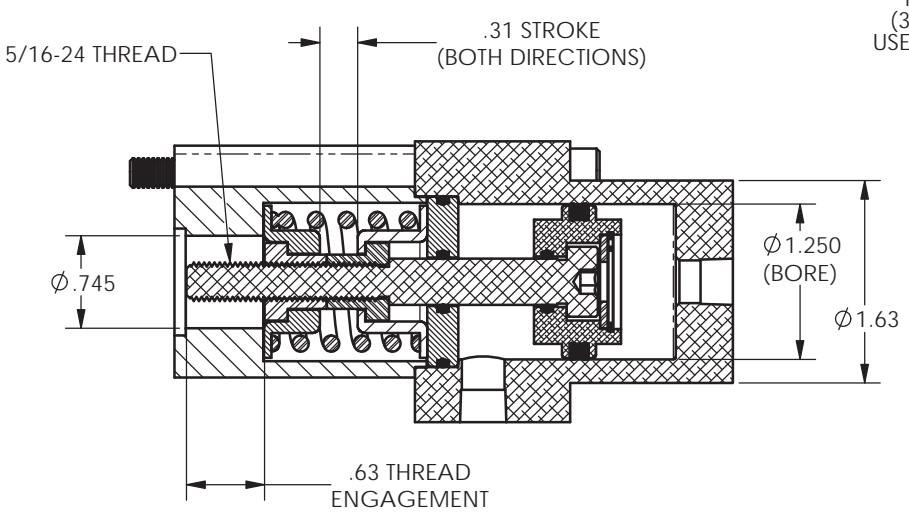
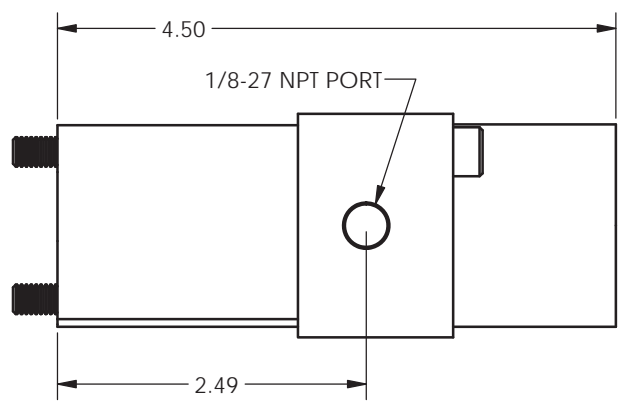


REVISIONS				
ECR	REV	DESCRIPTION	DATE	APPROVED
E1833	A	See Sheet1	09/14/2012	JUMPER



1. NEUTRAL POSITION SHOWN
2. SPRING PRELOAD = 33 LBS
3. MIN. EXTENSION FORCE @ 100 PSI AT FULL STROKE = 55 LBS
4. MIN. RETRACT FORCE @ 100 PSI AT FUL STROKE = 44 LBS



<p>TYPE OF PROJECTION</p> <p>THIRD ANGLE PROJECTION</p>	<p>DO NOT SCALE DRAWING UNLESS OTHERWISE SPECIFIED DIMENSIONS ARE IN INCHES</p> <p>TOLERANCES ARE:</p> <p>DECIMALS</p> <p>.X = $\pm .03$</p> <p>.XX = $\pm .010$</p> <p>.XXX = $\pm .005$</p> <p>FRACTION = $\pm .015$</p> <p>ANGLES = $\pm 1/2^\circ$</p>	<p>8178 EAST 44TH STREET TULSA, OK 74145</p>		
<p>PROPRIETARY AND CONFIDENTIAL</p> <p>THE INFORMATION CONTAINED IN THIS DRAWING IS THE SOLE PROPERTY OF APSCO Inc.. ANY REPRODUCTION IN PART OR AS A WHOLE WITHOUT WRITTEN PERMISSION OF APSCO Inc. IS PROHIBITED.</p>	<p>SURFACE TEXTURE OR BETTER</p> <p>MATERIAL</p> <p>N/A</p>	<p>TITLE: AIR ACT. FOR SCX HYD VAL</p>		
	<p>FINISH</p> <p>N/A</p>	<p>DWG. NO.</p> <p>C-3872-DM</p>	<p>REV</p> <p>A</p>	
		<p>SIZE</p> <p>B</p>	<p>DATE</p> <p>10/28/2010</p>	<p>CLASS</p> <p>CYL</p>
		<p>F/N:C-3000 SERIES</p>		<p>SHT. 2 OF 2</p>