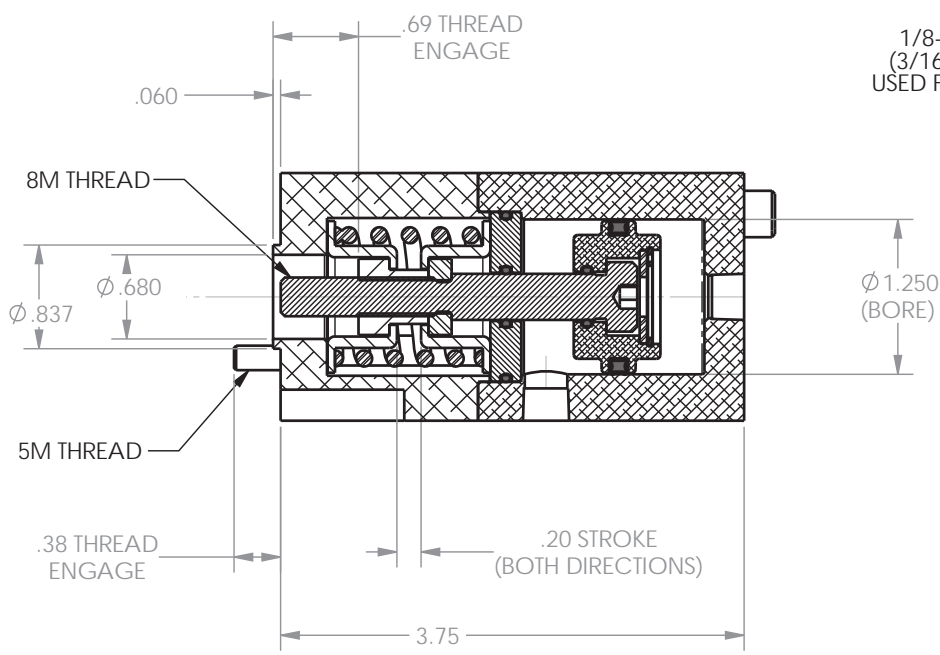
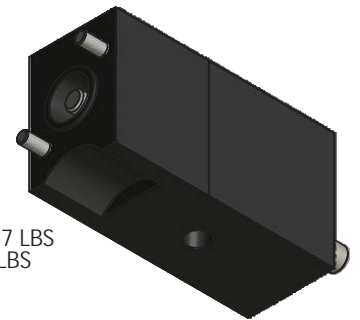
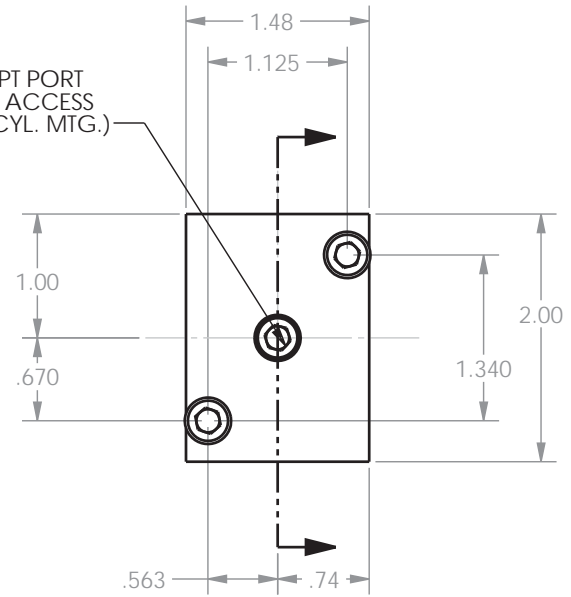


8 7 6 5 4 3 2 1

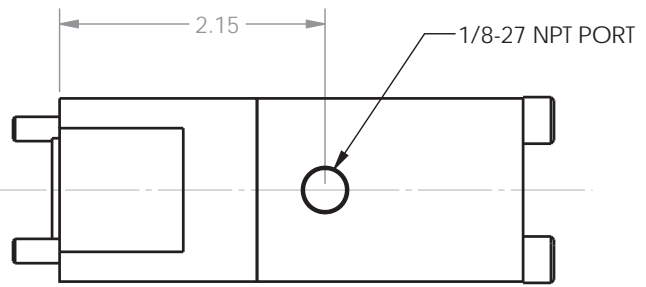
REVISIONS				
ECR	REV	DESCRIPTION	DATE	APPROVED
E1990	A	See Sheet1	01/21/2013	JUMPER



1/8-27 NPT PORT
(3/16 HEX ACCESS
USED FOR CYL. MTG.)



1. NEUTRAL POSITION SHOWN
2. SPRING PRELOAD = 33 LBS
3. MIN. EXTENSION FORCE @ 100 PSI AT FULL STROKE = 67 LBS
4. MIN. RETRACT FORCE @ 100 PSI AT FULL STROKE = 56 LBS
5. BLACK ANODIZED HOUSINGS



TYPE OF PROJECTION THIRD ANGLE PROJECTION	DO NOT SCALE DRAWING UNLESS OTHERWISE SPECIFIED DIMENSIONS ARE IN INCHES TOLERANCES ARE: DECIMALS .X = ±.03 .XX = ±.010 .XXX = ±.005 FRACTION = ±.015 ANGLES = ±1/2°	 8178 EAST 44TH STREET TULSA, OK 74145
PROPRIETARY AND CONFIDENTIAL THE INFORMATION CONTAINED IN THIS DRAWING IS THE SOLE PROPERTY OF APSCO Inc.. ANY REPRODUCTION IN PART OR AS A WHOLE WITHOUT WRITTEN PERMISSION OF APSCO Inc. IS PROHIBITED.	SURFACE TEXTURE OR BETTER MATERIAL N/A	TITLE: AIR ACT FOR DCV50 HYD VAL
FINISH N/A	DWG. NO. C-3850-DM	REV A
	SIZE B	DRAWN JUMPER
	DATE 06/26/2012	CLASS CYL
	F/N:C-3000 SERIES	SHT. 2 OF 2

8 7 6 5 4 3 2 1