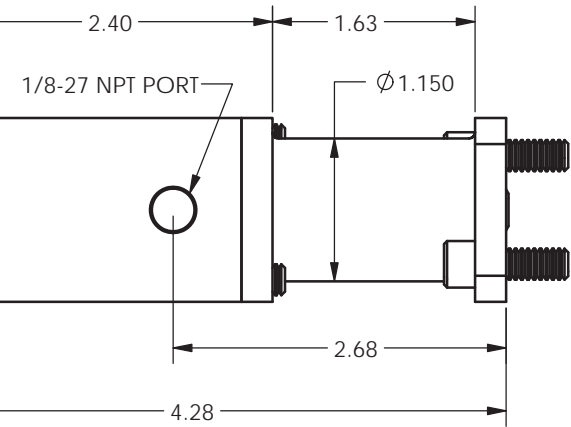
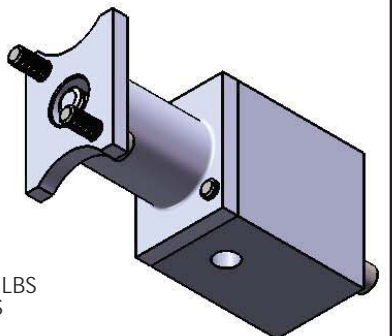
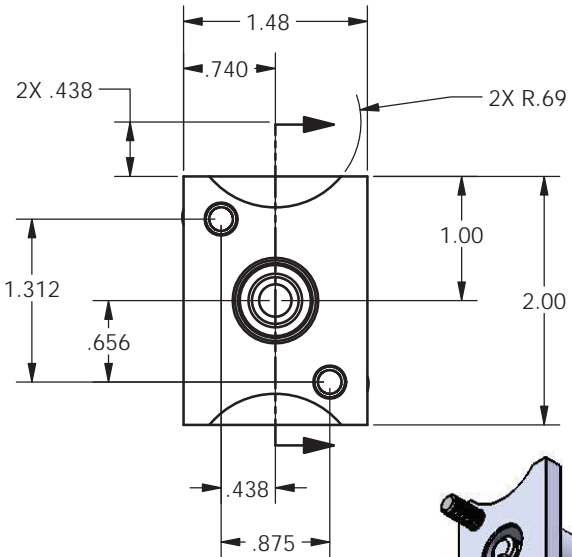
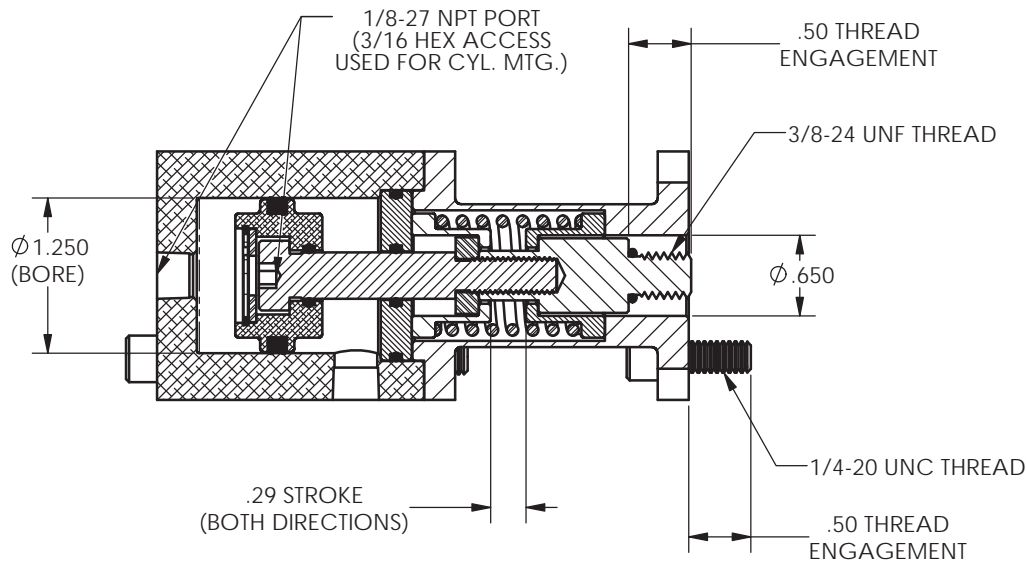
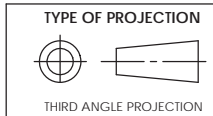


8 7 6 5 4 3 2 1

REVISIONS				
ECR	REV	DESCRIPTION	DATE	APPROVED
E2224	B	See Sheet1	07/29/2013	JUMPER



1. NEUTRAL POSITION SHOWN
2. SPRING PRELOAD = 34.0 LBS
3. MIN. EXTENSION FORCE @ 100 PSI AT FULL STROKE = 81 LBS
4. MIN. RETRACT FORCE @ 100 PSI AT FULL STROKE = 70 LBS



PROPRIETARY AND CONFIDENTIAL
 THE INFORMATION CONTAINED IN THIS DRAWING IS THE SOLE PROPERTY OF APSCO Inc.. ANY REPRODUCTION IN PART OR AS A WHOLE WITHOUT WRITTEN PERMISSION OF APSCO Inc. IS PROHIBITED.

DO NOT SCALE DRAWING
 UNLESS OTHERWISE SPECIFIED DIMENSIONS ARE IN INCHES
 TOLERANCES ARE:
 DECIMALS
 .X = ±.03
 .XX = ±.010
 .XXX = ±.005
 FRACTION = ±.015
 ANGLES = ±1/2°

SURFACE TEXTURE OR BETTER
 MATERIAL N/A
 FINISH N/A



TITLE: AIR ACT FOR 5000 HYD VAL			
DWG. NO. C-3845-DM-CC		REV B	
SIZE B	DRAWN MC	DATE 10/27/2009	CLASS CYL
F/N:C-3000 SERIES			SHT. 2 OF 2

8 7 6 5 4 3 2 1