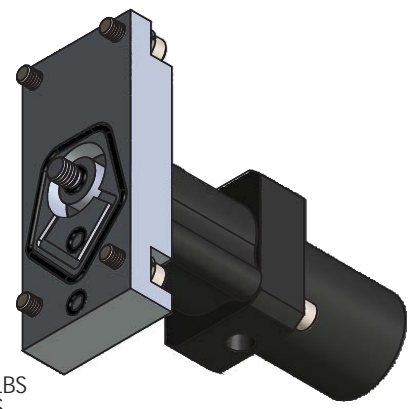
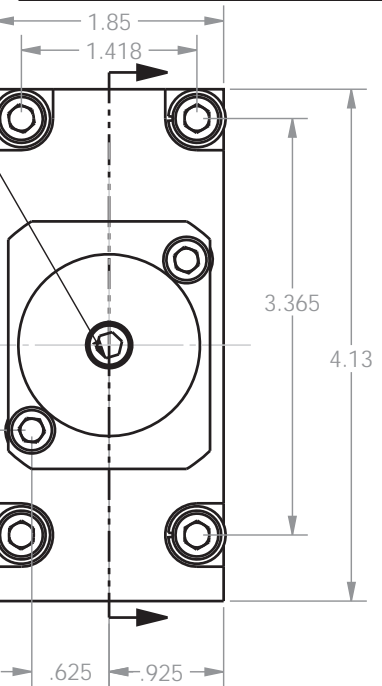
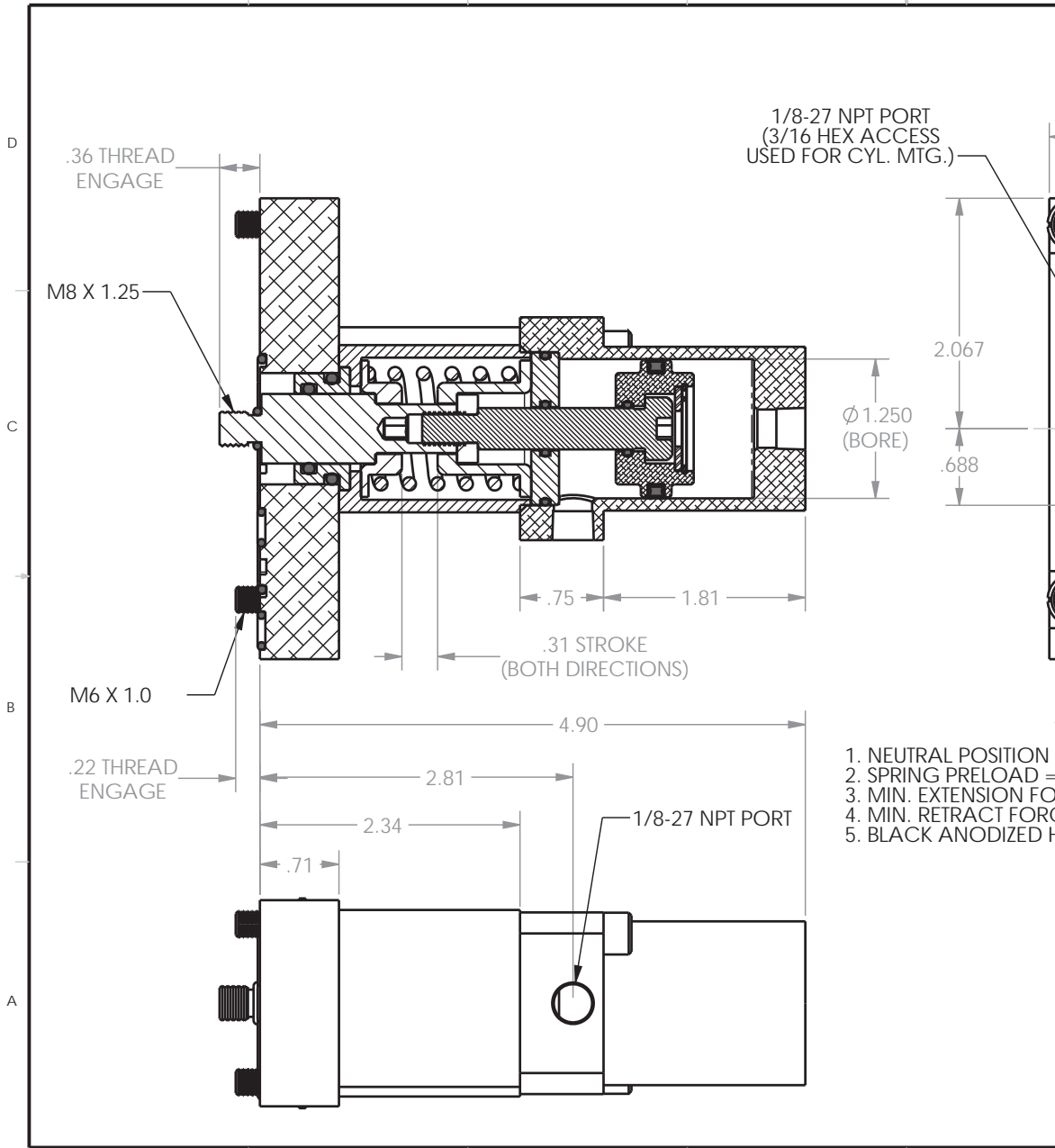
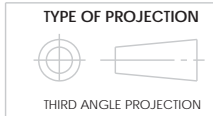


8 7 6 5 4 3 2 1

REVISIONS				
ECR	REV	DESCRIPTION	DATE	APPROVED
E1990	A	See Sheet1	01/21/2013	JUMPER



1. NEUTRAL POSITION SHOWN
2. SPRING PRELOAD = 36 LBS
3. MIN. EXTENSION FORCE @ 100 PSI AT FULL STROKE = 41 LBS
4. MIN. RETRACT FORCE @ 100 PSI AT FULL STROKE = 30 LBS
5. BLACK ANODIZED HOUSING



**PROPRIETARY AND CONFIDENTIAL**  
 THE INFORMATION CONTAINED IN THIS DRAWING IS THE SOLE PROPERTY OF APSCO Inc.. ANY REPRODUCTION IN PART OR AS A WHOLE WITHOUT WRITTEN PERMISSION OF APSCO Inc. IS PROHIBITED.

DO NOT SCALE DRAWING UNLESS OTHERWISE SPECIFIED DIMENSIONS ARE IN INCHES  
 TOLERANCES ARE:  
 DECIMALS  
 .X = ±.03  
 .XX = ±.010  
 .XXX = ±.005  
 FRACTION = ±.015  
 ANGLES = ±1/2°  
 SURFACE TEXTURE OR BETTER MATERIAL: N/A  
 FINISH: N/A



TITLE: AIR ACT FOR HPV41 HYD VAL			
DWG. NO. C-3841-DMEC		REV A	
SIZE B	DRAWN JUMPER	DATE 06/26/2012	CLASS CYL
F/N:C-3000 SERIES			SHT. 2 OF 2

8 7 6 5 4 3 2 1