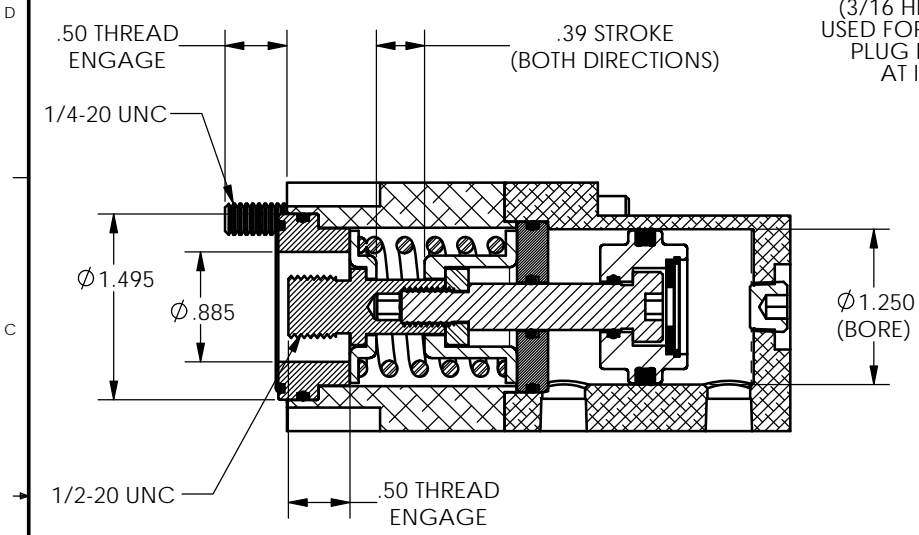
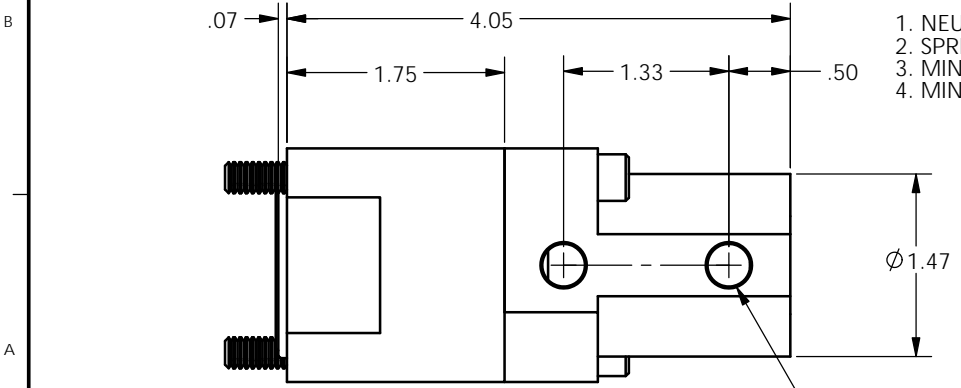
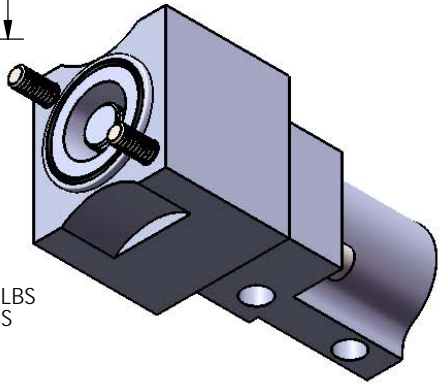
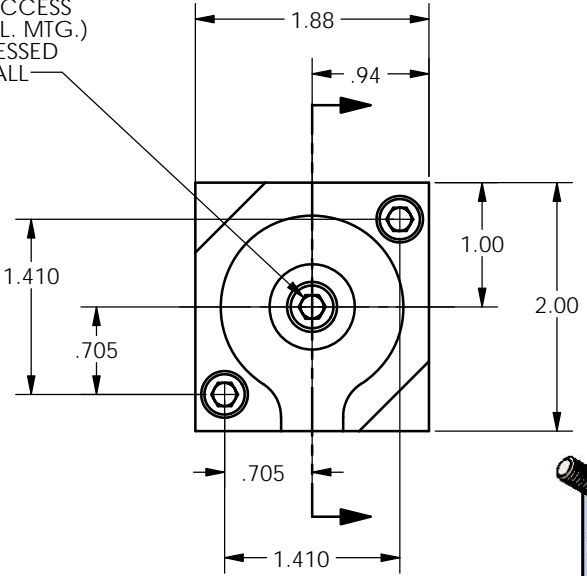


8 7 6 5 4 3 2 1

REVISIONS				
ECR	REV	DESCRIPTION	DATE	APPROVED
E2531	A	See Sheet1	07/02/2014	JUMPER

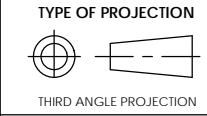


1/8 NPT PLUG  
(3/16 HEX ACCESS  
USED FOR CYL. MTG.)  
PLUG RECESSED  
AT INSTALL



1. NEUTRAL POSITION SHOWN
2. SPRING PRELOAD = 27 LBS
3. MIN. EXTENSION FORCE @ 100 PSI AT FULL STROKE = 88 LBS
4. MIN. RETRACT FORCE @ 100 PSI AT FULL STROKE = 77 LBS

2X 1/8 NPT PORT



**PROPRIETARY AND CONFIDENTIAL**

THE INFORMATION CONTAINED IN THIS DRAWING IS THE SOLE PROPERTY OF APSCO Inc.. ANY REPRODUCTION IN PART OR AS A WHOLE WITHOUT WRITTEN PERMISSION OF APSCO Inc. IS PROHIBITED.

DO NOT SCALE DRAWING UNLESS OTHERWISE SPECIFIED DIMENSIONS ARE IN INCHES

TOLERANCES ARE:  
DECIMALS  
.X = ±.03  
.XX = ±.010  
.XXX = ±.005  
FRACTION = ±.015  
ANGLES = ±1/2°

SURFACE TEXTURE OR BETTER

MATERIAL N/A

FINISH N/A



TITLE: AIR ACT FOR V40 HYD VAL			
DWG. NO. C-3840-DM		REV A	
SIZE B	DRAWN JUMPER	DATE 03/25/2013	CLASS CYL
F/N: C-3000 SERIES			SHT. 2 OF 2

8 7 6 5 4 3 2 1