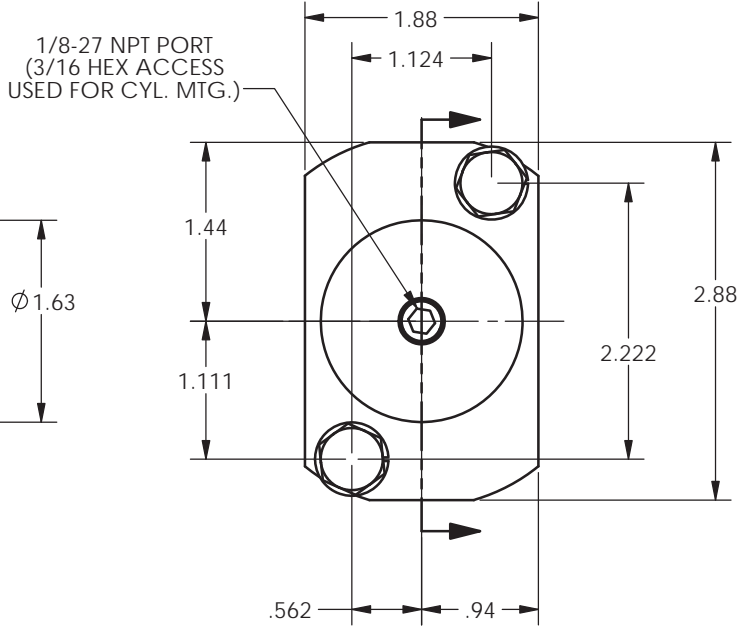
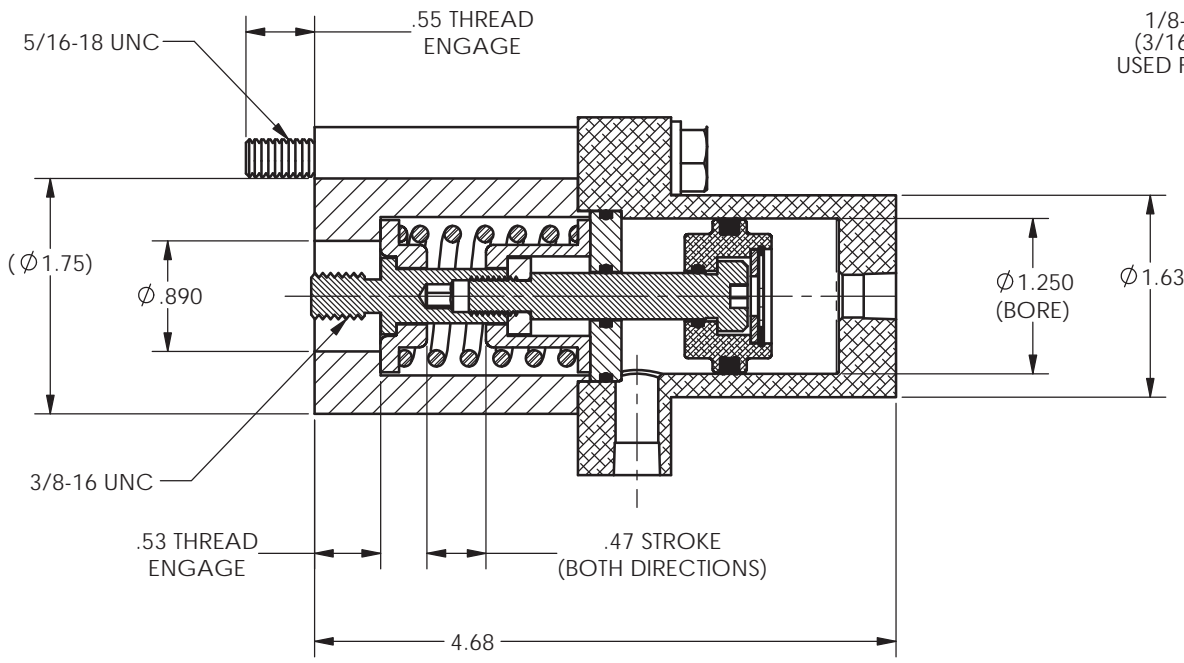
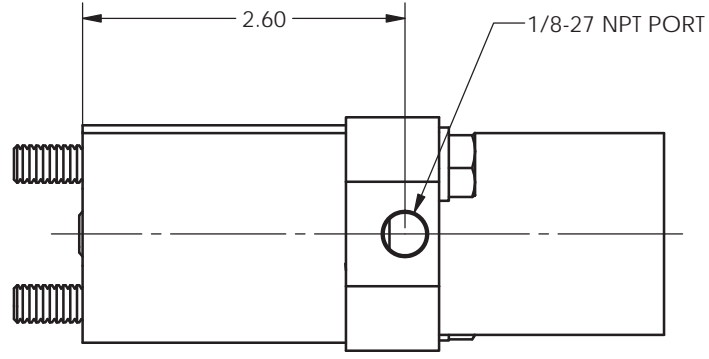


8 7 6 5 4 3 2 1

REVISIONS				
ECR	REV	DESCRIPTION	DATE	APPROVED
E1698	B	See Sheet1	05/03/2012	JUMPER



1. NEUTRAL POSITION SHOWN
2. SPRING PRELOAD = 36 LBS
3. MIN. EXTENSION FORCE @ 100 PSI AT FULL STROKE = 41 LBS
4. MIN. RETRACT FORCE @ 100 PSI AT FULL STROKE = 30 LBS



<p>TYPE OF PROJECTION</p> <p>THIRD ANGLE PROJECTION</p>	<p>DO NOT SCALE DRAWING UNLESS OTHERWISE SPECIFIED DIMENSIONS ARE IN INCHES</p> <p>TOLERANCES ARE:</p> <p>DECIMALS</p> <p>.X = \pm.03</p> <p>.XX = \pm.010</p> <p>.XXX = \pm.005</p> <p>FRACTION = \pm.015</p> <p>ANGLES = \pm1/2°</p>	<p>8178 EAST 44TH STREET TULSA, OK 74145</p>		
		<p>TITLE: AIR ACT FOR A35 HYD VAL</p>		
<p>PROPRIETARY AND CONFIDENTIAL</p> <p>THE INFORMATION CONTAINED IN THIS DRAWING IS THE SOLE PROPERTY OF APSCO Inc.. ANY REPRODUCTION IN PART OR AS A WHOLE WITHOUT WRITTEN PERMISSION OF APSCO Inc. IS PROHIBITED.</p>	<p>SURFACE TEXTURE OR BETTER</p> <p>MATERIAL N/A</p>	<p>DWG. NO.</p> <p>C-3835-DM</p>	<p>REV</p> <p>B</p>	
	<p>FINISH</p> <p>N/A</p>	<p>SIZE</p> <p>B</p>	<p>DATE</p> <p>11/07/2002</p>	<p>CLASS</p> <p>CYL</p>
		<p>F/N:C-3000 SERIES</p>		<p>SHT. 2 OF 2</p>

8 7 6 5 4 3 2 1