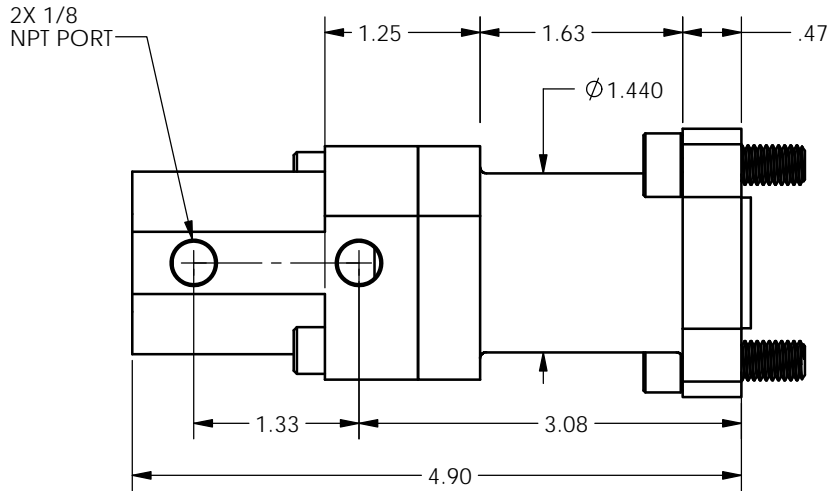
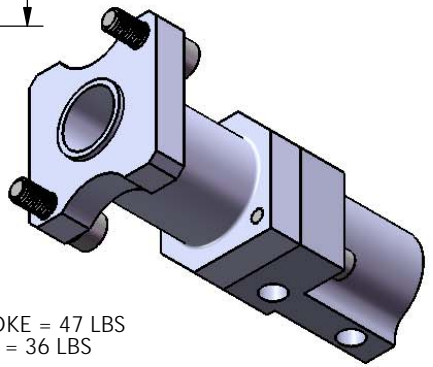
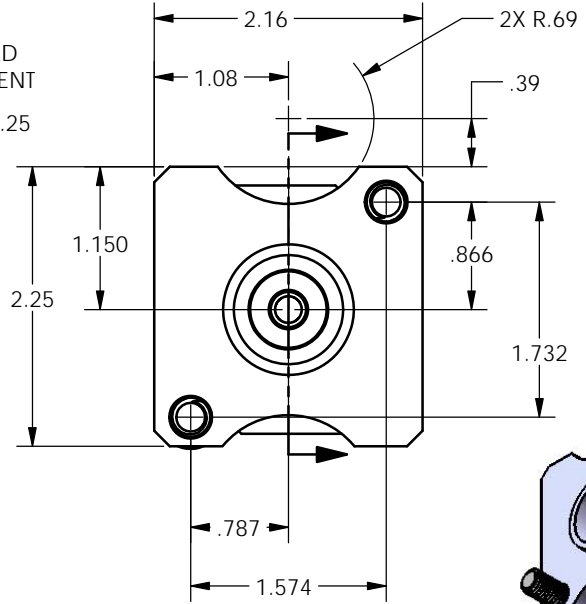
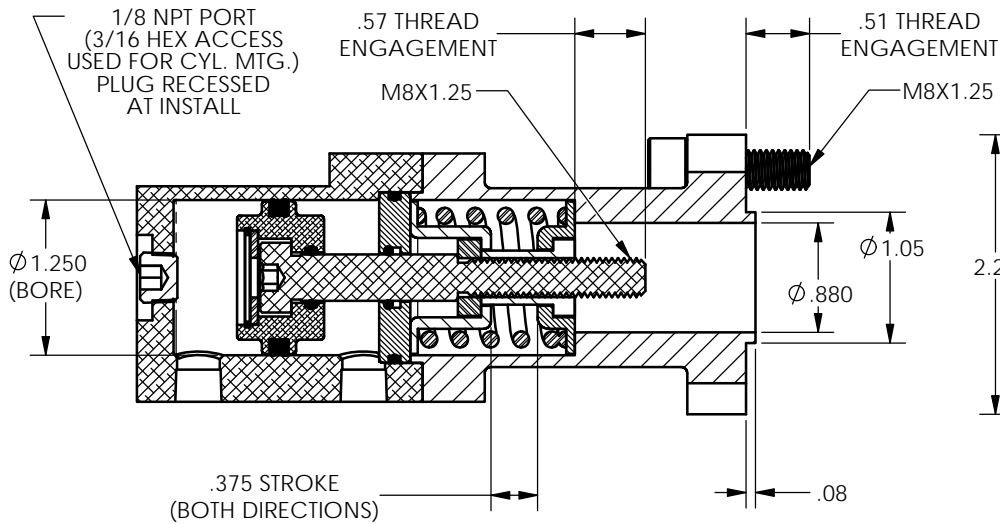
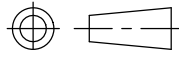



8 7 6 5 4 3 2 1

REVISIONS				
ECR	REV	DESCRIPTION	DATE	APPROVED
E2571	-	See Sheet1	08/28/2014	JUMPER



1. NEUTRAL POSITION SHOWN
2. SPRING PRELOAD = 34 LBS
3. MIN. EXTENSION FORCE @ 100 PSI AT FULL STROKE = 47 LBS
4. MIN. RETRACT FORCE @ 100 PSI AT FUL STROKE = 36 LBS

<b>TYPE OF PROJECTION</b>  THIRD ANGLE PROJECTION	<b>DO NOT SCALE DRAWING</b> UNLESS OTHERWISE SPECIFIED DIMENSIONS ARE IN INCHES TOLERANCES ARE: DECIMALS .X = ±.03 .XX = ±.010 .XXX = ±.005 FRACTION = ±.015 ANGLES = ±1/2°	 8178 EAST 44TH STREET TULSA, OK 74145	
		<b>TITLE:</b> AIR ACTUATOR HC-D12 AND DVS20	
<b>PROPRIETARY AND CONFIDENTIAL</b> THE INFORMATION CONTAINED IN THIS DRAWING IS THE SOLE PROPERTY OF APSCO Inc.. ANY REPRODUCTION IN PART OR AS A WHOLE WITHOUT WRITTEN PERMISSION OF APSCO Inc. IS PROHIBITED.	<b>SURFACE TEXTURE OR BETTER</b> MATERIAL: N/A	<b>DWG. NO.</b> C-3834-DM	<b>REV</b> -
	<b>FINISH</b> N/A	<b>SIZE</b> <b>B</b>	<b>DRAWN</b> JUMPER
		<b>CLASS</b> CYL	<b>SHT. 2 OF 2</b>
		<b>F/N:</b> C-3000 SERIES	

8 7 6 5 4 3 2 1