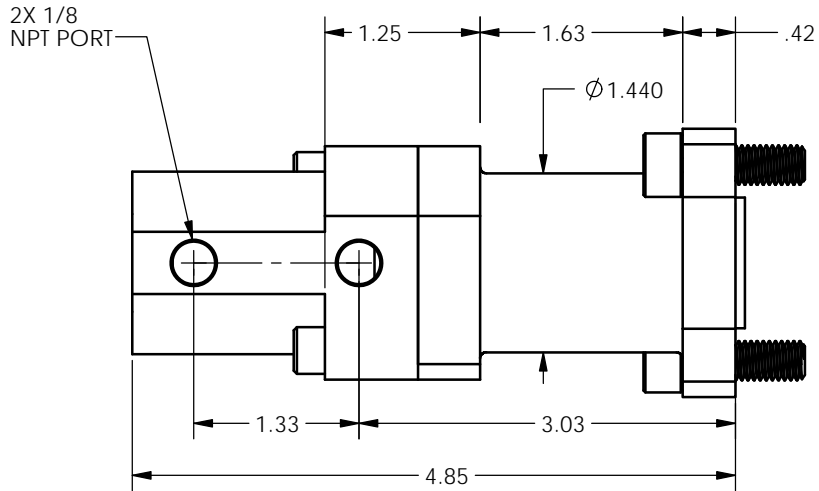
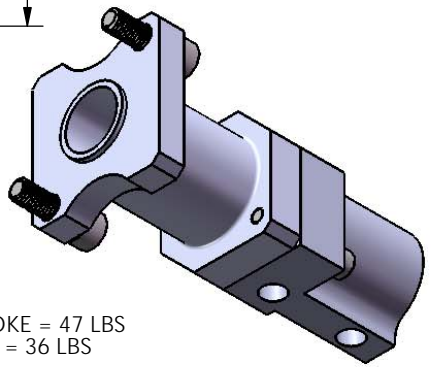
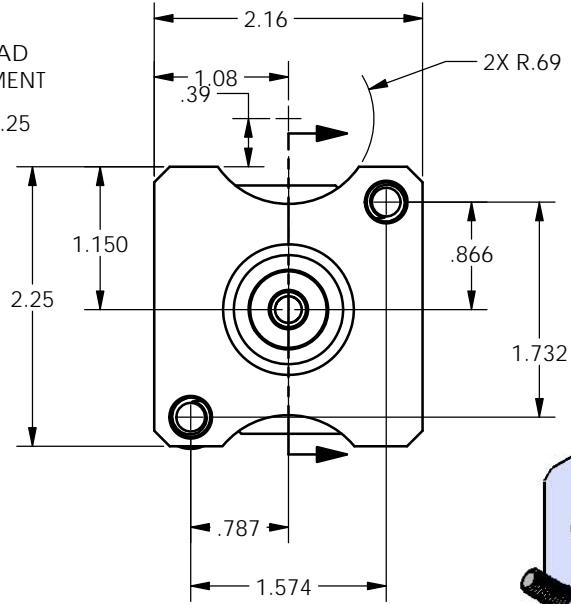
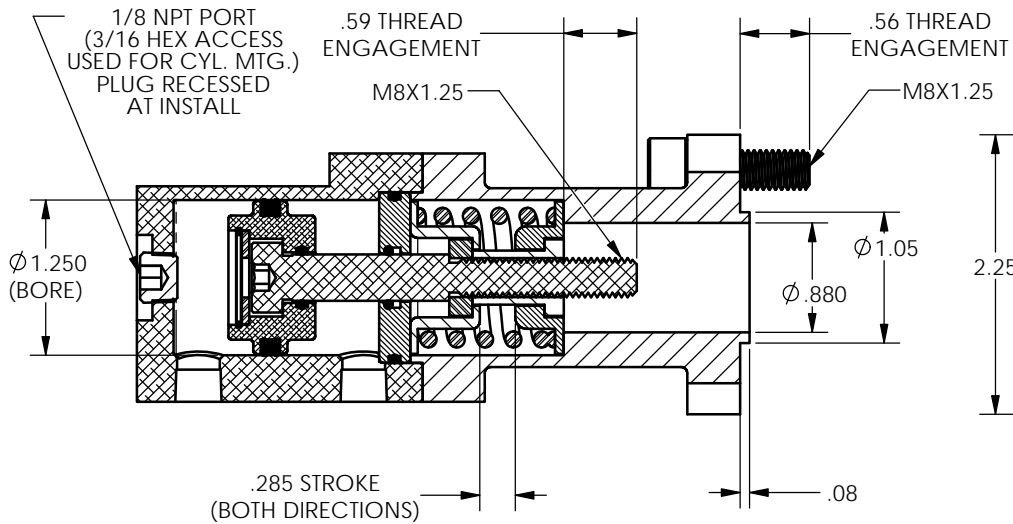


8 7 6 5 4 3 2 1

REVISIONS				
ECR	REV	DESCRIPTION	DATE	APPROVED
E2571	-	NEW RELEASE	08/28/2014	JUMPER



1. NEUTRAL POSITION SHOWN
2. SPRING PRELOAD = 34 LBS
3. MIN. EXTENSION FORCE @ 100 PSI AT FULL STROKE = 47 LBS
4. MIN. RETRACT FORCE @ 100 PSI AT FUL STROKE = 36 LBS

<p>TYPE OF PROJECTION</p> <p>THIRD ANGLE PROJECTION</p>	<p>DO NOT SCALE DRAWING UNLESS OTHERWISE SPECIFIED DIMENSIONS ARE IN INCHES TOLERANCES ARE:</p> <p>DECIMALS .X = ±.03 .XX = ±.010 .XXX = ±.005 FRACTION = ±.015 ANGLES = ±1/2°</p> <p>63</p> <p>SURFACE TEXTURE OR BETTER</p> <p>MATERIAL N/A</p> <p>FINISH N/A</p>	<p>APSCO Inc. 8178 EAST 44TH STREET TULSA, OK 74145</p>		
		<p>PROPRIETARY AND CONFIDENTIAL</p> <p>THE INFORMATION CONTAINED IN THIS DRAWING IS THE SOLE PROPERTY OF APSCO Inc.. ANY REPRODUCTION IN PART OR AS A WHOLE WITHOUT WRITTEN PERMISSION OF APSCO Inc. IS PROHIBITED.</p>	<p>TITLE: AIR ACTUATOR HC-D12LS</p>	<p>DWG. NO. C-3833-DM</p>
<p>SIZE B</p>		<p>DRAWN JUMPER</p>	<p>DATE 06/23/2014</p>	<p>CLASS CYL</p>
<p>F/N: C-3000 SERIES</p>			<p>SHT. 2 OF 2</p>	

8 7 6 5 4 3 2 1