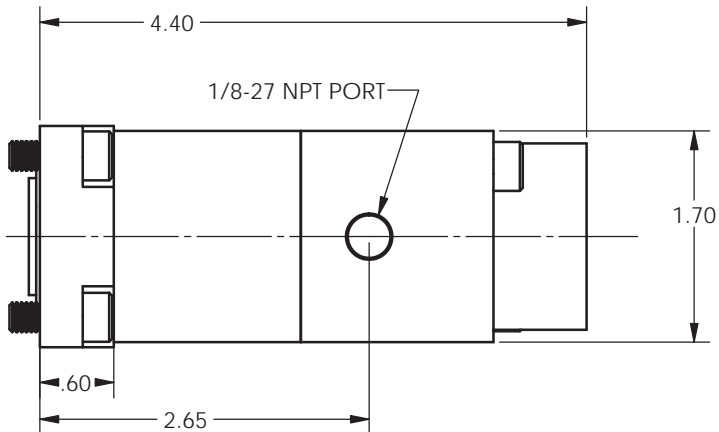
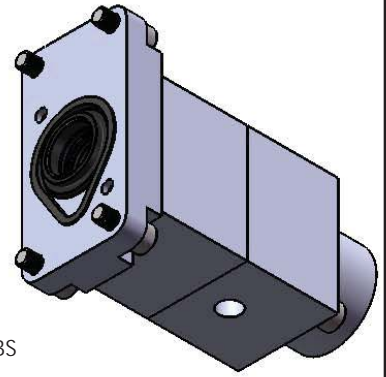
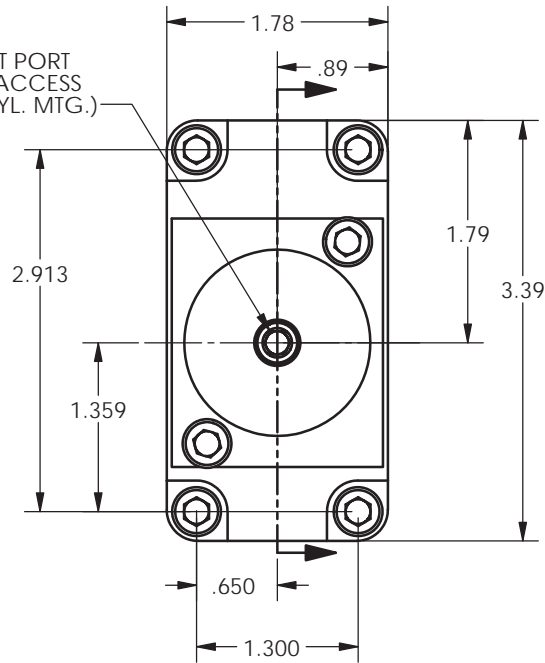
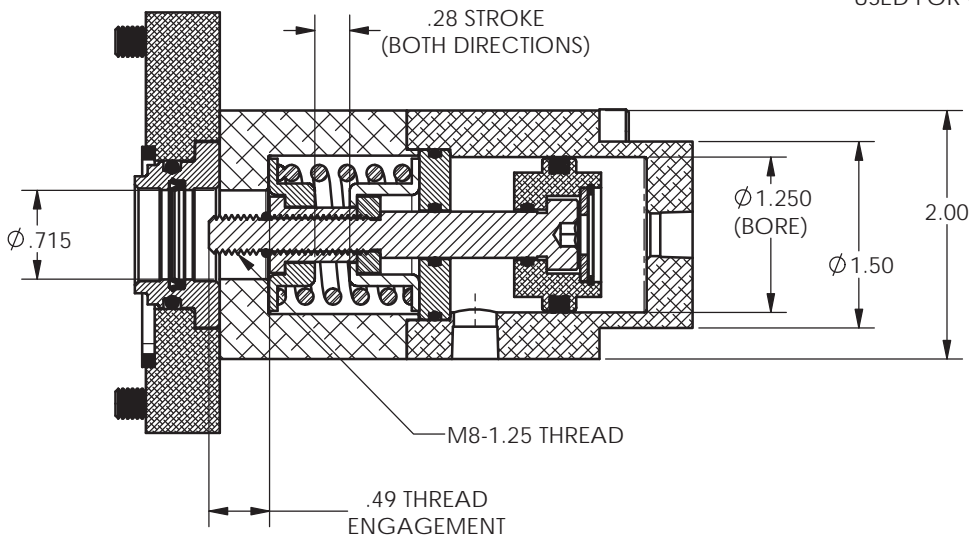


8 7 6 5 4 3 2 1

REVISIONS				
ECR	REV	DESCRIPTION	DATE	APPROVED
E1833	A	See Sheet1	09/14/2012	JUMPER



1. NEUTRAL POSITION SHOWN
2. SPRING PRELOAD = 46.7 LBS
3. MIN. EXTENSION FORCE @ 100 PSI AT FULL STROKE = 45 LBS
4. MIN. RETRACT FORCE @ 100 PSI AT FUL STROKE = 34 LBS

<p>TYPE OF PROJECTION</p> <p>THIRD ANGLE PROJECTION</p>	<p>DO NOT SCALE DRAWING UNLESS OTHERWISE SPECIFIED DIMENSIONS ARE IN INCHES</p> <p>TOLERANCES ARE:</p> <p>DECIMALS</p> <p>.X = ±.03</p> <p>.XX = ±.010</p> <p>.XXX = ±.005</p> <p>FRACTION = ±.015</p> <p>ANGLES = ±1/2°</p>	<p>8178 EAST 44TH STREET TULSA, OK 74145</p>								
<p><b>PROPRIETARY AND CONFIDENTIAL</b></p> <p>THE INFORMATION CONTAINED IN THIS DRAWING IS THE SOLE PROPERTY OF APSCO Inc.. ANY REPRODUCTION IN PART OR AS A WHOLE WITHOUT WRITTEN PERMISSION OF APSCO Inc. IS PROHIBITED.</p>	<p>SURFACE TEXTURE OR BETTER</p> <p>MATERIAL N/A</p> <p>FINISH N/A</p>	<p>TITLE: AIR ACT FOR PVG-32 HYD VAL</p>								
		<p>DWG. NO. C-3832-DM</p> <p>REV A</p>								
		<table border="1"> <tr> <th>SIZE</th> <th>DRAWN</th> <th>DATE</th> <th>CLASS</th> </tr> <tr> <td>B</td> <td>LC</td> <td>08/13/2010</td> <td>CYL</td> </tr> </table>	SIZE	DRAWN	DATE	CLASS	B	LC	08/13/2010	CYL
SIZE	DRAWN	DATE	CLASS							
B	LC	08/13/2010	CYL							
		<p>F/N:C-3000 SERIES</p> <p>SHT. 2 OF 2</p>								

8 7 6 5 4 3 2 1