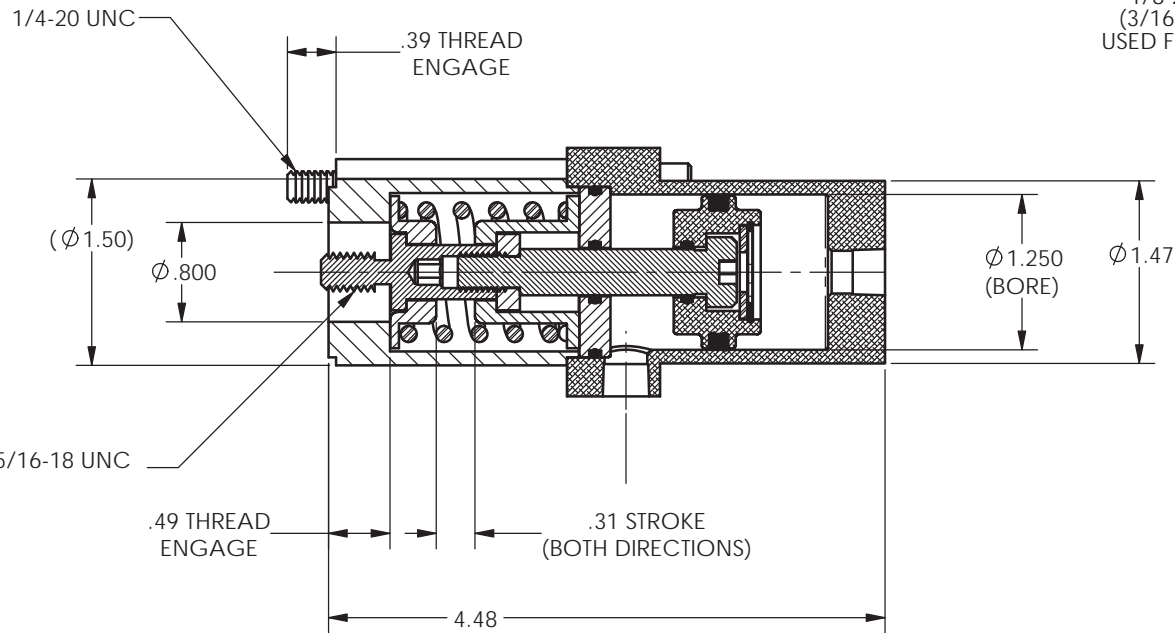
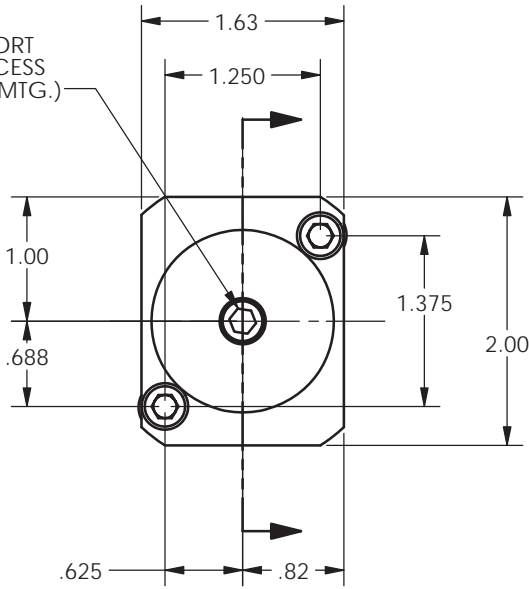


8 7 6 5 4 3 2 1

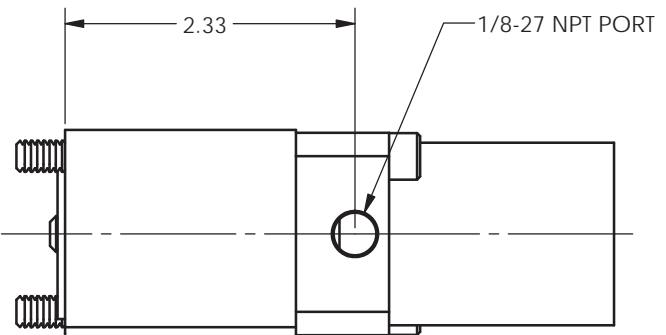
REVISIONS				
ECR	REV	DESCRIPTION	DATE	APPROVED
E1698	A	See Sheet1	05/03/2012	JUMPER



1/8-27 NPT PORT
 (3/16 HEX ACCESS USED FOR CYL. MTG.)



1. NEUTRAL POSITION SHOWN
2. SPRING PRELOAD = 16.7 LBS
3. MIN. EXTENSION FORCE @ 100 PSI AT FULL STROKE = 72 LBS
4. MIN. RETRACT FORCE @ 100 PSI AT FULL STROKE = 61 LBS



<p>TYPE OF PROJECTION</p> <p>THIRD ANGLE PROJECTION</p>	<p>DO NOT SCALE DRAWING UNLESS OTHERWISE SPECIFIED DIMENSIONS ARE IN INCHES</p> <p>TOLERANCES ARE:</p> <p>DECIMALS</p> <p>.X = ±.03</p> <p>.XX = ±.010</p> <p>.XXX = ±.005</p> <p>FRACTION = ±.015</p> <p>ANGLES = ±1/2°</p>	<p>8178 EAST 44TH STREET TULSA, OK 74145</p>		
		<p>PROPRIETARY AND CONFIDENTIAL</p> <p>THE INFORMATION CONTAINED IN THIS DRAWING IS THE SOLE PROPERTY OF APSCO Inc.. ANY REPRODUCTION IN PART OR AS A WHOLE WITHOUT WRITTEN PERMISSION OF APSCO Inc. IS PROHIBITED.</p>	<p>SURFACE TEXTURE OR BETTER</p> <p>MATERIAL N/A</p> <p>FINISH N/A</p>	<p>TITLE: AIR ACT FOR V20 HYD VAL</p>
<p>SIZE B</p>		<p>DRAWN WEM</p>	<p>DATE 05/03/2004</p>	<p>REV A</p>
<p>F/N:C-3000 SERIES</p>			<p>CLASS CYL</p>	<p>SHT. 2 OF 2</p>

8 7 6 5 4 3 2 1