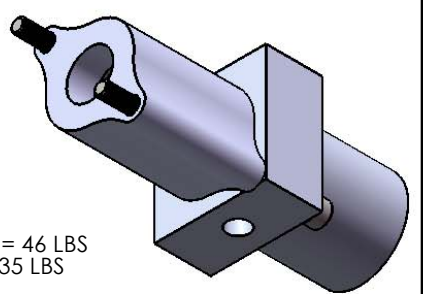
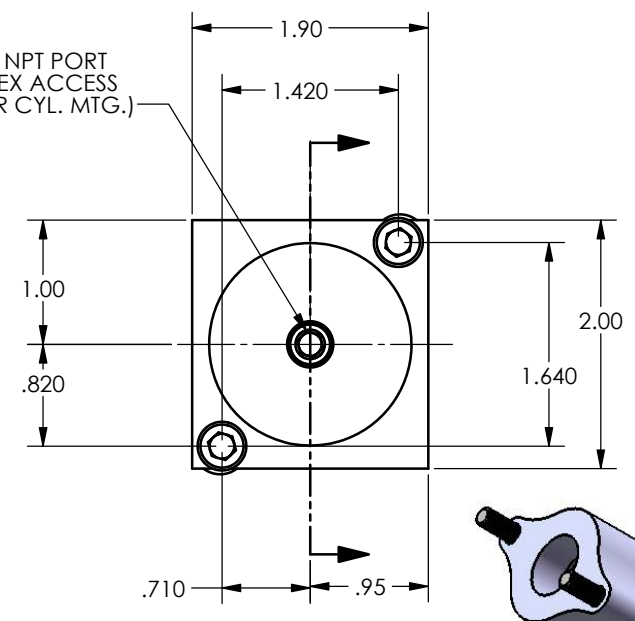
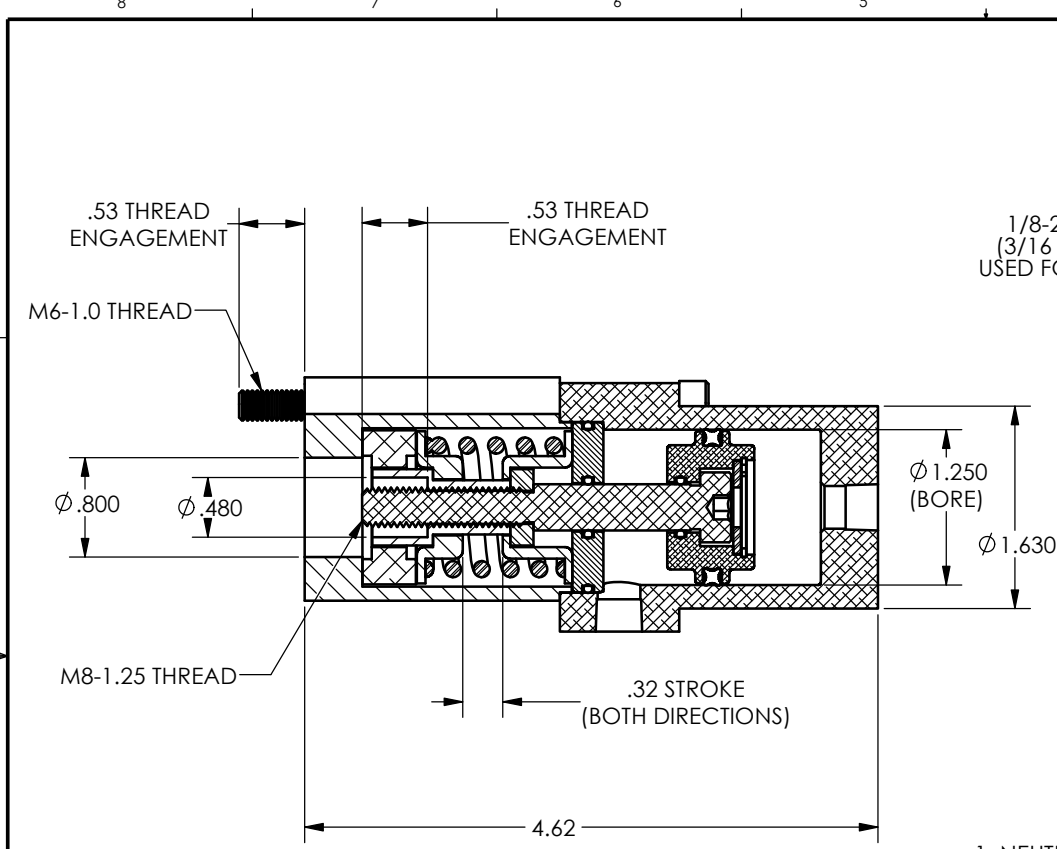
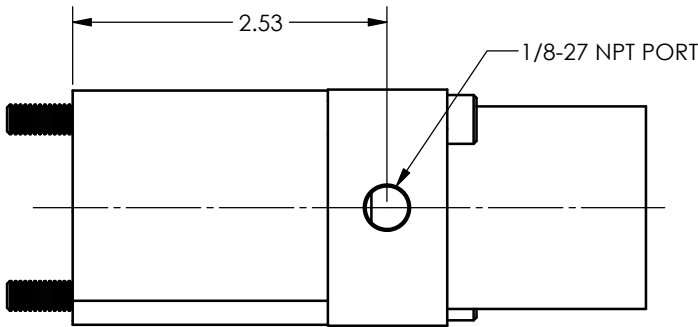


REVISIONS				
ECR	REV	DESCRIPTION	DATE	APPROVED
E1812	A	See Sheet1	8/28/2012	JUMPER



1. NEUTRAL POSITION SHOWN
2. SPRING PRELOAD = 42 LBS
3. MIN. EXTENSION FORCE @ 100 PSI AT FULL STROKE = 46 LBS
4. MIN. RETRACT FORCE @ 100 PSI AT FULL STROKE = 35 LBS



TYPE OF PROJECTION THIRD ANGLE PROJECTION	DO NOT SCALE DRAWING UNLESS OTHERWISE SPECIFIED DIMENSIONS ARE IN INCHES TOLERANCES ARE: DECIMALS .X = ±.03 .XX = ±.010 .XXX = ±.005 FRACTION = ±.015 ANGLES = ±1/2° ✓ SURFACE TEXTURE OR BETTER MATERIAL N/A FINISH N/A	 8178 EAST 44TH STREET TULSA, OK 74145	
		TITLE: AIR ACT FOR CM120 HYD VAL	
PROPRIETARY AND CONFIDENTIAL THE INFORMATION CONTAINED IN THIS DRAWING IS THE SOLE PROPERTY OF APSCO Inc.. ANY REPRODUCTION IN PART OR AS A WHOLE WITHOUT WRITTEN PERMISSION OF APSCO Inc. IS PROHIBITED.	DWG. NO. C-3818-DM		REV A
	SIZE B	DRAWN MC	DATE 10/29/2009
F/N:C-3000 SERIES			SHT. 2 OF 2