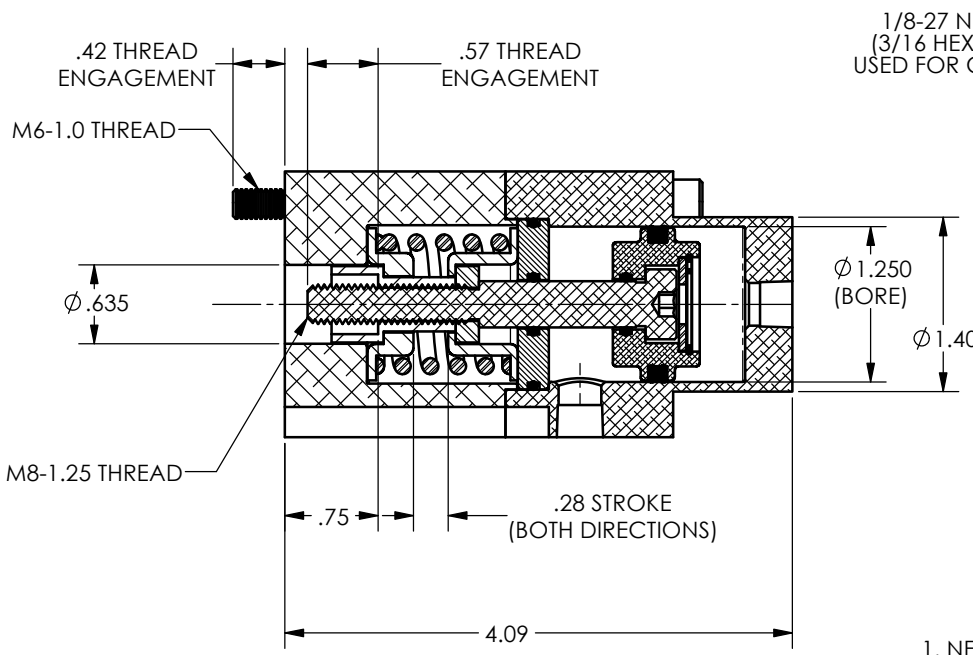
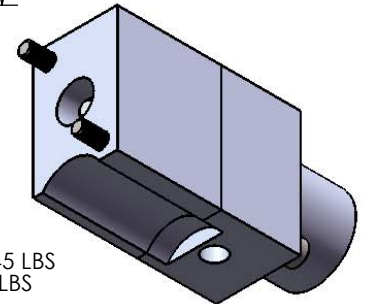
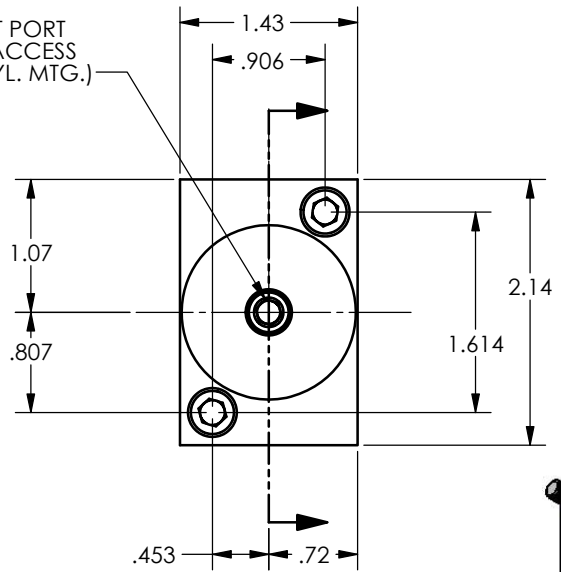


8 7 6 5 4 3 2 1

REVISIONS				
ECR	REV	DESCRIPTION	DATE	APPROVED
E1812	A	See Sheet1	8/28/2012	JUMPER



1/8-27 NPT PORT  
(3/16 HEX ACCESS  
USED FOR CYL. MTG.)



1. NEUTRAL POSITION SHOWN
2. SPRING PRELOAD = 46.7 LBS
3. MIN. EXTENSION FORCE @ 100 PSI AT FULL STROKE = 45 LBS
4. MIN. RETRACT FORCE @ 100 PSI AT FULL STROKE = 34 LBS

D  
C  
B  
A

D  
C  
B  
A

8 7 6 5 4 3 2 1

<p>TYPE OF PROJECTION</p> <p>THIRD ANGLE PROJECTION</p>	<p>DO NOT SCALE DRAWING UNLESS OTHERWISE SPECIFIED DIMENSIONS ARE IN INCHES TOLERANCES ARE: DECIMALS .X = ±.03 .XX = ±.010 .XXX = ±.005 FRACTION = ±.015 ANGLES = ±1/2°</p>	<p>8178 EAST 44TH STREET TULSA, OK 74145</p>		
		<p>TITLE: AIR ACT FOR CM80 HYD VAL</p>		
<p><b>PROPRIETARY AND CONFIDENTIAL</b></p> <p>THE INFORMATION CONTAINED IN THIS DRAWING IS THE SOLE PROPERTY OF APSCO Inc.. ANY REPRODUCTION IN PART OR AS A WHOLE WITHOUT WRITTEN PERMISSION OF APSCO Inc. IS PROHIBITED.</p>	<p>SURFACE TEXTURE OR BETTER</p> <p>MATERIAL N/A</p>	<p>DWG. NO.</p> <p><b>C-3817-DM</b></p>	<p>REV</p> <p>-</p>	
	<p>FINISH N/A</p>	<p>SIZE <b>B</b></p> <p>CLASS <b>CYL</b></p>	<p>DATE</p> <p>08/17/2010</p>	<p>CLASS</p> <p>CYL</p>
		<p>F/N:C-3000 SERIES</p>		<p>SHT. 2 OF 2</p>