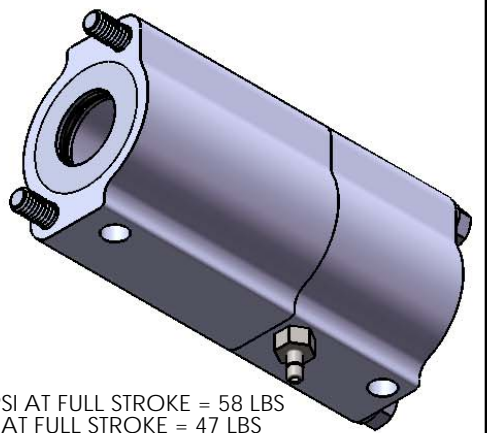
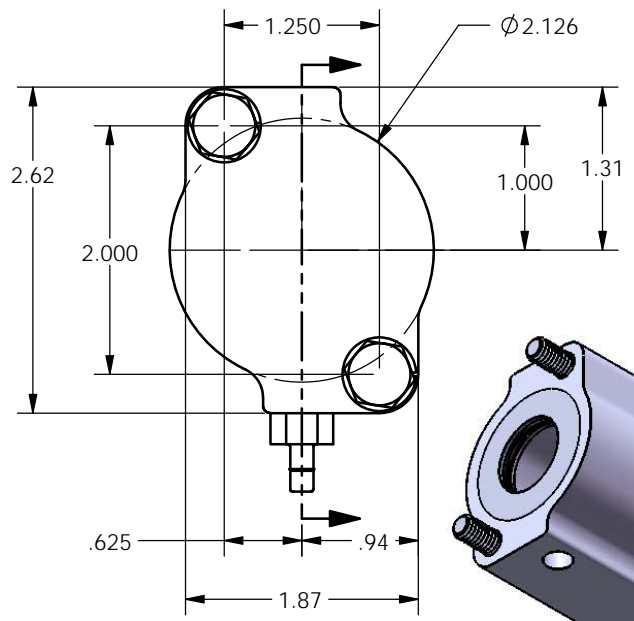
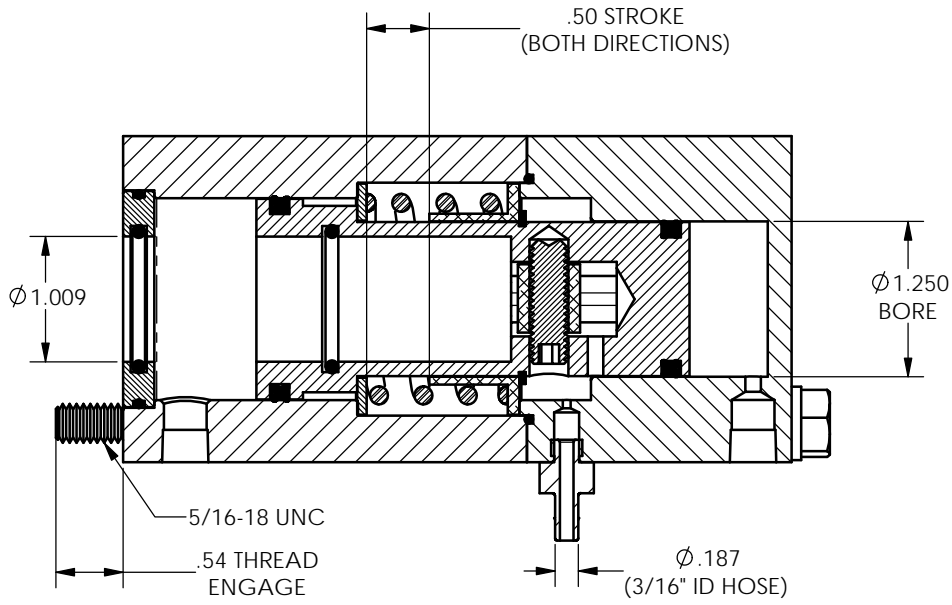
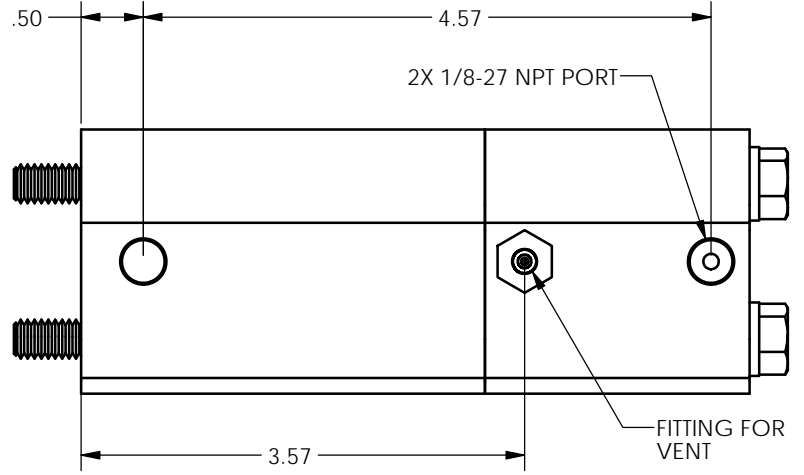


8 7 6 5 4 3 2 1

REVISIONS				
ECR	REV	DESCRIPTION	DATE	APPROVED
E1769	D	See Sheet1	06/26/2012	JUMPER
E2833	E	FITTING ADAPTER OD FOR HOSE	07/22/2015	RR



1. NEUTRAL POSITION SHOWN
2. SPRING PRELOAD = 25.4 LBS
3. MIN. EXTENSION FORCE @ 100 PSI AT FULL STROKE = 58 LBS
4. MIN. RETRACT FORCE @ 100 PSI AT FULL STROKE = 47 LBS



<p>TYPE OF PROJECTION</p> <p>THIRD ANGLE PROJECTION</p>	<p>DO NOT SCALE DRAWING UNLESS OTHERWISE SPECIFIED DIMENSIONS ARE IN INCHES</p> <p>TOLERANCES ARE:</p> <p>DECIMALS</p> <p>.X = $\pm .03$</p> <p>.XX = $\pm .010$</p> <p>.XXX = $\pm .005$</p> <p>FRACTION = $\pm .015$</p> <p>ANGLES = $\pm 1/2^\circ$</p>	<p>8178 EAST 44TH STREET TULSA, OK 74145</p>	
		<p>PROPRIETARY AND CONFIDENTIAL</p> <p>THE INFORMATION CONTAINED IN THIS DRAWING IS THE SOLE PROPERTY OF APSCO Inc.. ANY REPRODUCTION IN PART OR AS A WHOLE WITHOUT WRITTEN PERMISSION OF APSCO Inc. IS PROHIBITED.</p>	<p>SURFACE TEXTURE OR BETTER</p> <p>MATERIAL N/A</p> <p>FINISH N/A</p>
<p>SIZE B</p>		<p>DATE 06/26/2012</p>	<p>REV E</p>
<p>F/N:C-3000 SERIES</p>		<p>CLASS CYL</p>	<p>SHT. 2 OF 2</p>

8 7 6 5 4 3 2 1