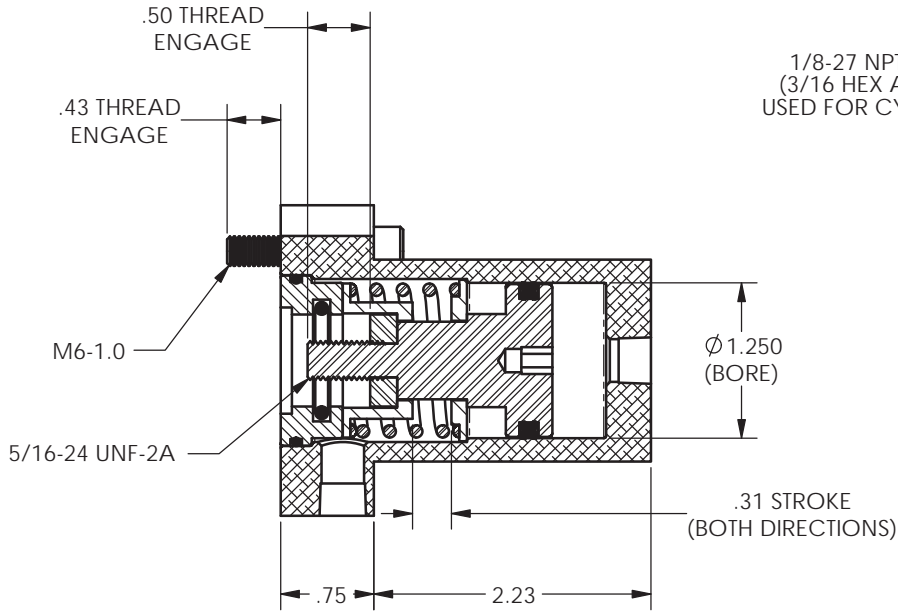
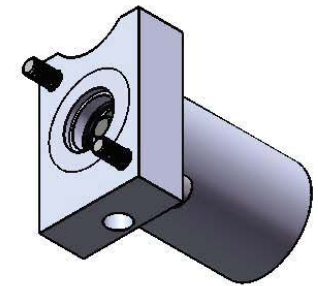
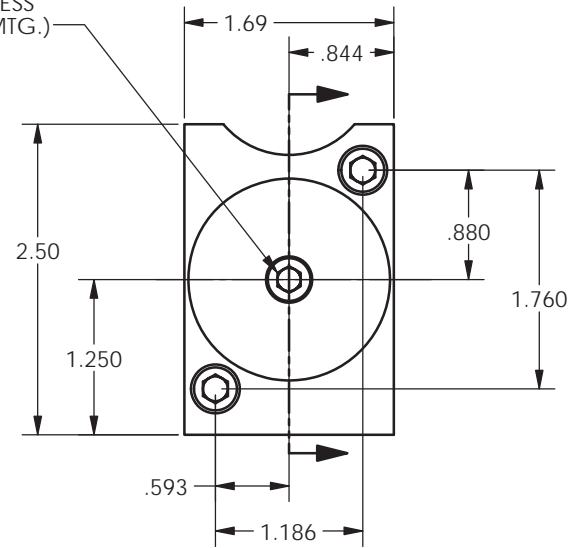


8 7 6 5 4 3 2 1

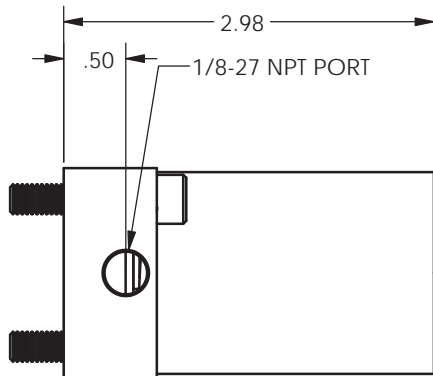
REVISIONS				
ECR	REV	DESCRIPTION	DATE	APPROVED
E1812	A	See Sheet1	08/07/2012	JUMPER



1/8-27 NPT PORT
(3/16 HEX ACCESS
USED FOR CYL. MTG.)



1. NEUTRAL POSITION SHOWN
2. SPRING PRELOAD = 31.2 LBS
3. MIN. EXTENSION FORCE @ 100 PSI AT FULL STROKE = 82 LBS
4. MIN. RETRACT FORCE @ 100 PSI AT FULL STROKE = 51 LBS



<p>TYPE OF PROJECTION</p> <p>THIRD ANGLE PROJECTION</p>	<p>DO NOT SCALE DRAWING UNLESS OTHERWISE SPECIFIED DIMENSIONS ARE IN INCHES TOLERANCES ARE: DECIMALS .X = ±.03 .XX = ±.010 .XXX = ±.005 FRACTION = ±.015 ANGLES = ±1/2°</p>	<p>8178 EAST 44TH STREET TULSA, OK 74145</p>			
		<p>PROPRIETARY AND CONFIDENTIAL</p> <p>THE INFORMATION CONTAINED IN THIS DRAWING IS THE SOLE PROPERTY OF APSCO Inc.. ANY REPRODUCTION IN PART OR AS A WHOLE WITHOUT WRITTEN PERMISSION OF APSCO Inc. IS PROHIBITED.</p>	<p>SURFACE TEXTURE OR BETTER</p> <p>MATERIAL N/A</p> <p>FINISH N/A</p>	<p>TITLE: AIR ACT FOR SCX HYD VAL</p>	<p>DWG. NO. C-3572-DM</p>
		<p>SIZE B</p>	<p>DRAWN WEM</p>	<p>DATE 01/16/2007</p>	<p>REV A</p>
		<p>F/N:C-3000 SERIES</p>		<p>CLASS CYL</p>	<p>SHT. 2 OF 2</p>

8 7 6 5 4 3 2 1