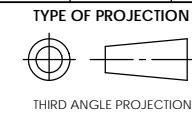


1. NEUTRAL POSITION SHOWN
2. SPRING PRELOAD = 34 LBS
3. MIN. EXTENSION FORCE @ 100 PSI AT FULL STROKE = 80 LBS
4. MIN. RETRACT FORCE @ 100 PSI AT FULL STROKE = 50 LBS

REVISIONS				
ECR	REV	DESCRIPTION	DATE	APPROVED
E1759	-	NEW RELEASE	06/26/2012	JUMPER

ITEM NO.	PART NUMBER	DESCRIPTION	QTY.
1	3920	CYLINDER BODY C-3560-DM	1
2	3911	PISTON, CROSS BA	1
3	3638	SPACER 1 3/8 ALUM RD	1
4	3641	SEAL RING	1
5	3635	SPG 1.04 ID 1.24 OD 1.87 LG	1
6	3639	FLANGE BUSHING	1
7	3921	STOP 3/4 RD ALUM C-3560-DM	1
8	3412	CAPS 1/4-20 X 1 1/2 SH	1
9	3511	CAPS 1/4-20 X 3 SH	2
10	1234	O-RING, 1-1/4 OD x 1 ID x 1/8 W	1
11	1369	O-RING 2-026 1 3/8 OD 1 1/4 ID	1
12	3642	O-RING 2-021 1 1/16 OD 15/16ID	1



PROPRIETARY AND CONFIDENTIAL

THE INFORMATION CONTAINED IN THIS DRAWING IS THE SOLE PROPERTY OF APSCO Inc.. ANY REPRODUCTION IN PART OR AS A WHOLE WITHOUT WRITTEN PERMISSION OF APSCO Inc. IS PROHIBITED.

DO NOT SCALE DRAWING
UNLESS OTHERWISE SPECIFIED DIMENSIONS ARE IN INCHES
TOLERANCES ARE:
DECIMALS
.X = ±.03
.XX = ±.010
.XXX = ±.005
FRACTION = ±.015
ANGLES = ±1/2°

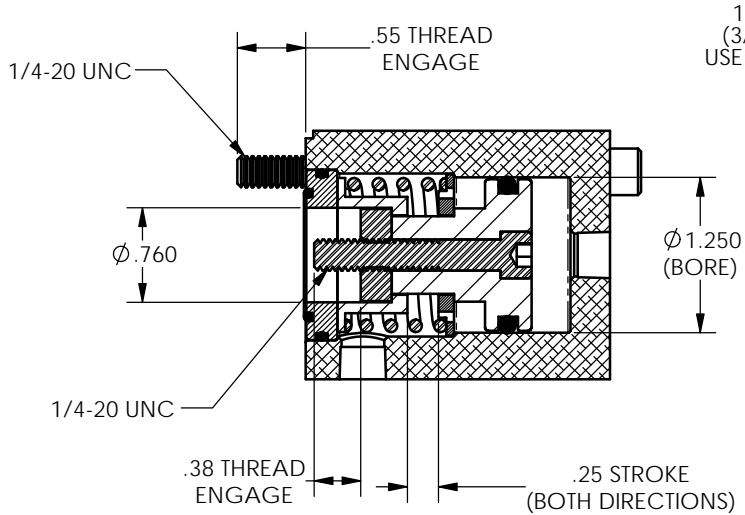
SURFACE TEXTURE OR BETTER
MATERIAL N/A
FINISH N/A



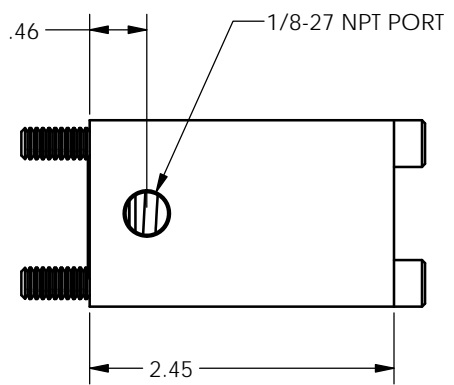
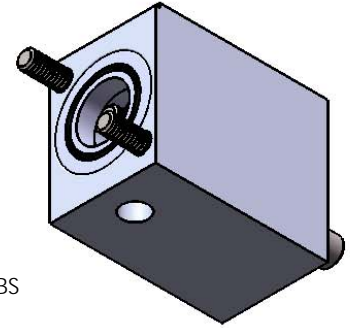
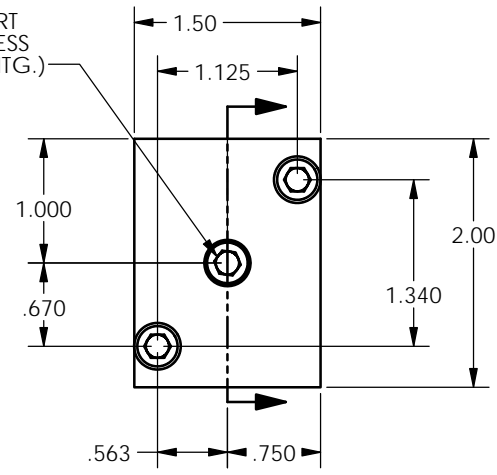
TITLE: AIR ACT FOR K-18 HYD VAL			
DWG. NO. C-3560-DM		REV -	
SIZE B	DRAWN JUMPER	DATE 06/26/2012	CLASS CYL
F/N:C-3000 SERIES			SHT. 1 OF 2

8 7 6 5 4 3 2 1

REVISIONS				
ECR	REV	DESCRIPTION	DATE	APPROVED
E1759	-	See Sheet1	06/26/2012	JUMPER



1/8-27 NPT PORT
(3/16 HEX ACCESS
USED FOR CYL. MTG.)



1. NEUTRAL POSITION SHOWN
2. SPRING PRELOAD = 34 LBS
3. MIN. EXTENSION FORCE @ 100 PSI AT FULL STROKE = 80 LBS
4. MIN. RETRACT FORCE @ 100 PSI AT FULL STROKE = 50 LBS

<p>TYPE OF PROJECTION</p> <p>THIRD ANGLE PROJECTION</p>	<p>DO NOT SCALE DRAWING UNLESS OTHERWISE SPECIFIED DIMENSIONS ARE IN INCHES</p> <p>TOLERANCES ARE: DECIMALS .X = ±.03 .XX = ±.010 .XXX = ±.005 FRACTION = ±.015 ANGLES = ±1/2°</p>	<p>8178 EAST 44TH STREET TULSA, OK 74145</p>
<p>PROPRIETARY AND CONFIDENTIAL</p> <p>THE INFORMATION CONTAINED IN THIS DRAWING IS THE SOLE PROPERTY OF APSCO Inc.. ANY REPRODUCTION IN PART OR AS A WHOLE WITHOUT WRITTEN PERMISSION OF APSCO Inc. IS PROHIBITED.</p>	<p>SURFACE TEXTURE OR BETTER</p> <p>MATERIAL N/A</p> <p>FINISH N/A</p>	
<p>TITLE: AIR ACT FOR K-18 HYD VAL</p>		<p>DWG. NO. C-3560-DM</p> <p>REV -</p>
<p>SIZE B</p> <p>DRAWN JUMPER</p> <p>DATE 06/26/2012</p> <p>CLASS CYL</p>		
<p>F/N:C-3000 SERIES</p>		<p>SHT. 2 OF 2</p>

8 7 6 5 4 3 2 1