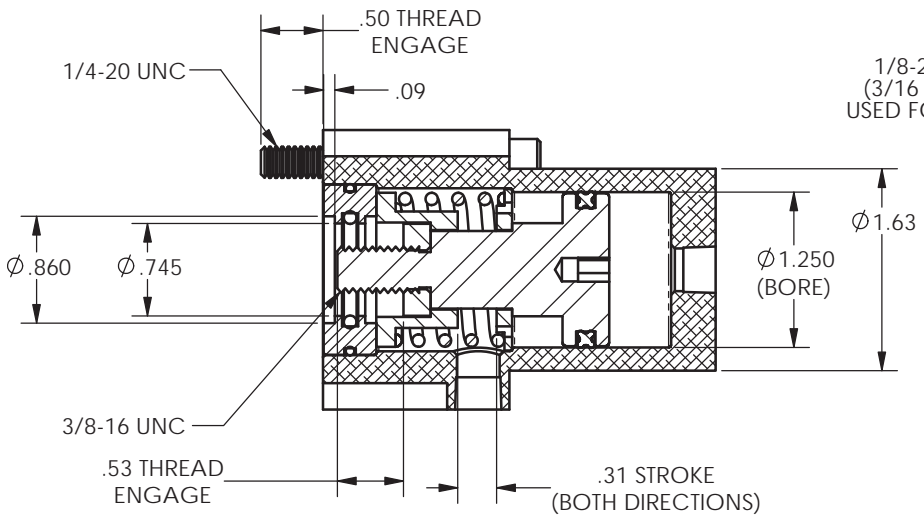
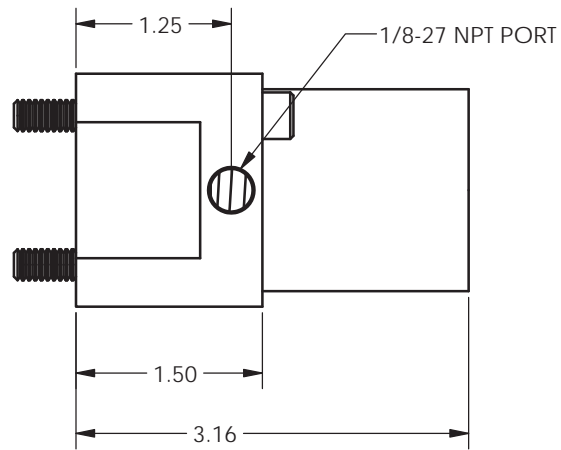
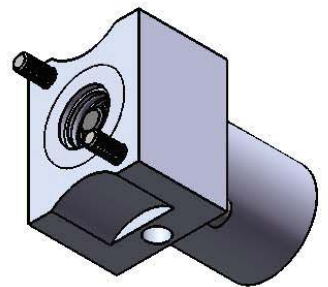
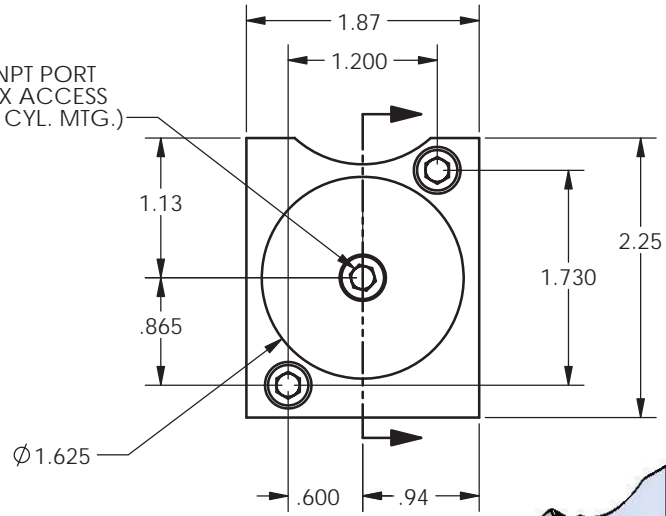


8 7 6 5 4 3 2 1

REVISIONS				
ECR	REV	DESCRIPTION	DATE	APPROVED
E1759	-	See Sheet1	06/26/2012	JUMPER



1/8-27 NPT PORT  
 (3/16 HEX ACCESS USED FOR CYL. MTG.)



1. NEUTRAL POSITION SHOWN
2. SPRING PRELOAD = 32 LBS
3. MIN. EXTENSION FORCE @ 100 PSI AT FULL STROKE = 80 LBS
4. MIN. RETRACT FORCE @ 100 PSI AT FULL STROKE = 36 LBS

TYPE OF PROJECTION  THIRD ANGLE PROJECTION	DO NOT SCALE DRAWING UNLESS OTHERWISE SPECIFIED DIMENSIONS ARE IN INCHES TOLERANCES ARE: DECIMALS .X = ±.03 .XX = ±.010 .XXX = ±.005 FRACTION = ±.015 ANGLES = ±1/2° ✓ SURFACE TEXTURE OR BETTER MATERIAL N/A FINISH N/A	 8178 EAST 44TH STREET TULSA, OK 74145		
		TITLE: AIR ACT FOR 6000 HYD VAL		
<b>PROPRIETARY AND CONFIDENTIAL</b> THE INFORMATION CONTAINED IN THIS DRAWING IS THE SOLE PROPERTY OF APSCO Inc.. ANY REPRODUCTION IN PART OR AS A WHOLE WITHOUT WRITTEN PERMISSION OF APSCO Inc. IS PROHIBITED.	DWG. NO. <b>C-3546-DM</b>		REV -	
	SIZE <b>B</b>	DRAWN JUMPER	DATE 06/26/2012	CLASS CYL
	F/N:C-3000 SERIES		SHT. 2 OF 2	

8 7 6 5 4 3 2 1

D  
C  
B  
A

D  
C  
B  
A