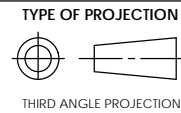


1. NEUTRAL POSITION SHOWN
2. SPRING PRELOAD = 32 LBS
3. MIN. EXTENSION FORCE @ 100 PSI AT FULL STROKE = 80 LBS
4. MIN. RETRACT FORCE @ 100 PSI AT FULL STROKE = 50 LBS

REVISIONS

ECR	REV	DESCRIPTION	DATE	APPROVED
E1759	-	NEW RELEASE	06/26/2012	JUMPER

ITEM NO.	PART NUMBER	DESCRIPTION	QTY.
1	4129	CYLINDER BODY C-3527-DM	1
2	4054	PISTON, GRESEN V-20	1
3	3638	SPACER 1 3/8 ALUM RD	1
4	3639	FLANGE BUSHING	1
5	4055	STOP 3/4 ALUM RD	1
6	4056	SEAL RING	1
7	3635	SPG 1.04 ID 1.24 OD 1.87 LG	1
8	3643	CAPSCREW SKT HD 1/4-20 1 1/4	2
9	1369	O-RING 2-026 1 3/8 OD 1 1/4 ID	1
10	3379	O-RING 2-024 1 1/4 OD 1 1/8 ID	1
11	4029	QUADRING 4-214 1 1/4 OD 1 I D	1



DO NOT SCALE DRAWING
UNLESS OTHERWISE SPECIFIED
DIMENSIONS ARE IN INCHES
TOLERANCES ARE:
DECIMALS
.X = ±.03
.XX = ±.010
.XXX = ±.005
FRACTION = ±.015
ANGLES = ±1/2°



PROPRIETARY AND CONFIDENTIAL
THE INFORMATION CONTAINED IN THIS DRAWING IS THE SOLE PROPERTY OF APSCO Inc.. ANY REPRODUCTION IN PART OR AS A WHOLE WITHOUT WRITTEN PERMISSION OF APSCO Inc. IS PROHIBITED.

SURFACE TEXTURE OR BETTER
MATERIAL N/A
FINISH N/A

TITLE: AIR ACT FOR V20 ALT HYD VAL

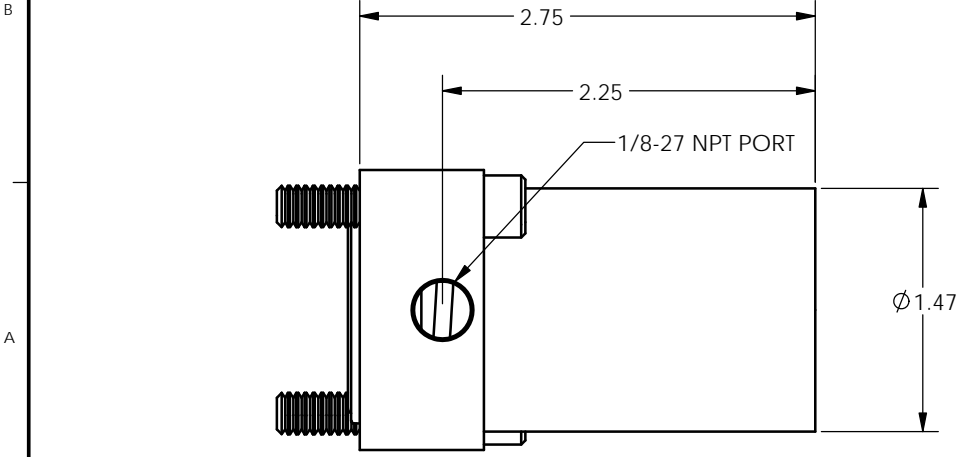
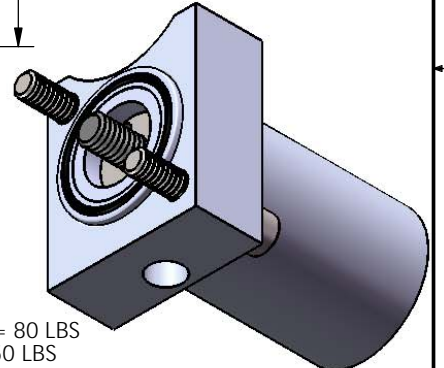
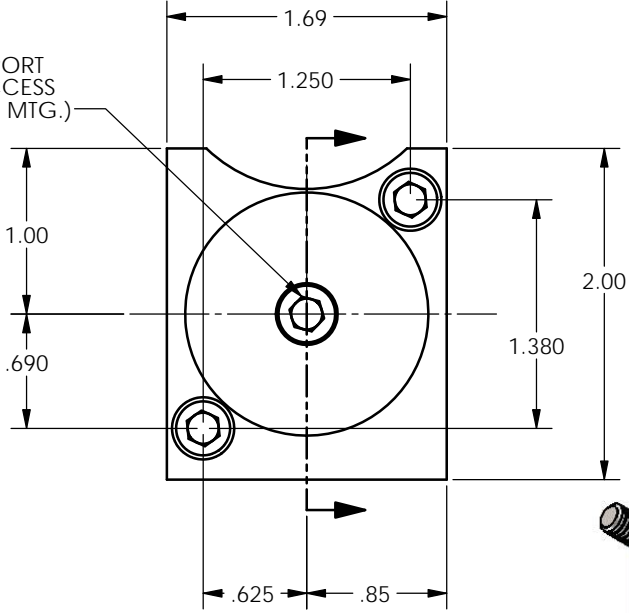
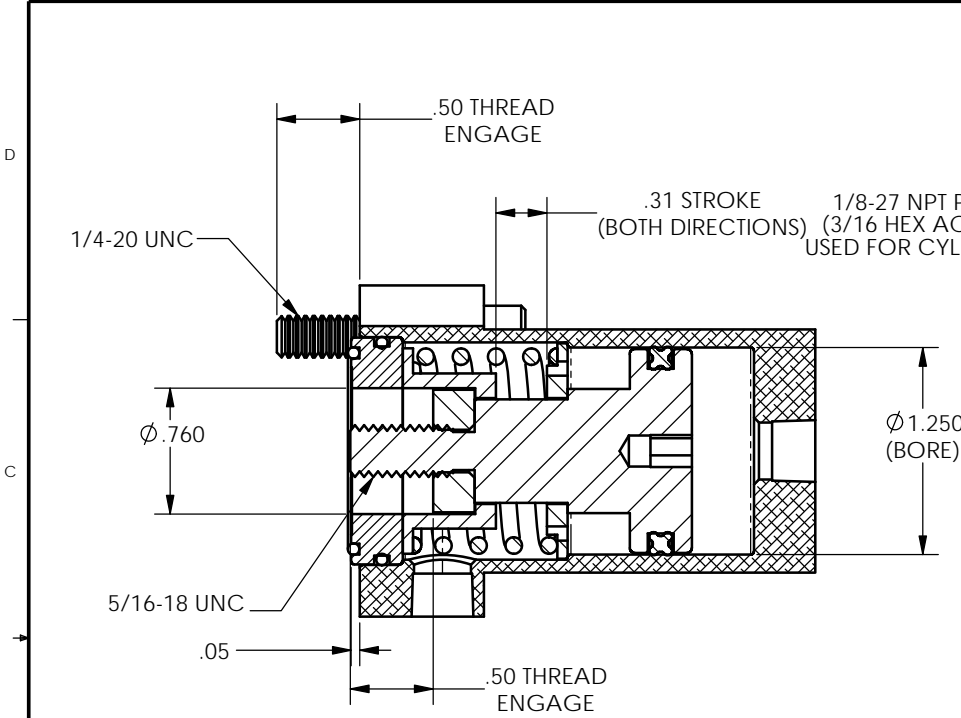
DWG. NO. C-3527-DM REV -

SIZE	DRAWN	DATE	CLASS
B	JUMPER	06/26/2012	CYL

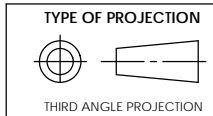
F/N:C-3000 SERIES SHT. 1 OF 2

8 7 6 5 4 3 2 1

REVISIONS				
ECR	REV	DESCRIPTION	DATE	APPROVED
E1759	-	See Sheet1	06/26/2012	JUMPER



1. NEUTRAL POSITION SHOWN
2. SPRING PRELOAD = 32 LBS
3. MIN. EXTENSION FORCE @ 100 PSI AT FULL STROKE = 80 LBS
4. MIN. RETRACT FORCE @ 100 PSI AT FULL STROKE = 50 LBS



DO NOT SCALE DRAWING UNLESS OTHERWISE SPECIFIED DIMENSIONS ARE IN INCHES

TOLERANCES ARE:

DECIMALS
 .X = ±.03
 .XX = ±.010
 .XXX = ±.005
 FRACTION = ±.015
 ANGLES = ±1/2°

PROPRIETARY AND CONFIDENTIAL

THE INFORMATION CONTAINED IN THIS DRAWING IS THE SOLE PROPERTY OF APSCO Inc.. ANY REPRODUCTION IN PART OR AS A WHOLE WITHOUT WRITTEN PERMISSION OF APSCO Inc. IS PROHIBITED.

SURFACE TEXTURE OR BETTER

MATERIAL N/A

FINISH N/A



TITLE: AIR ACT FOR V20 ALT HYD VAL		REV -
DWG. NO. C-3527-DM		CLASS CYL
SIZE B	DRAWN JUMPER	DATE 06/26/2012
F/N:C-3000 SERIES		SHT. 2 OF 2

8 7 6 5 4 3 2 1