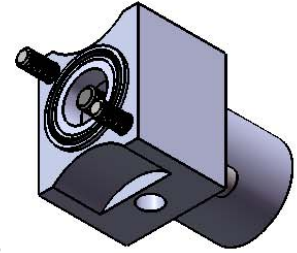
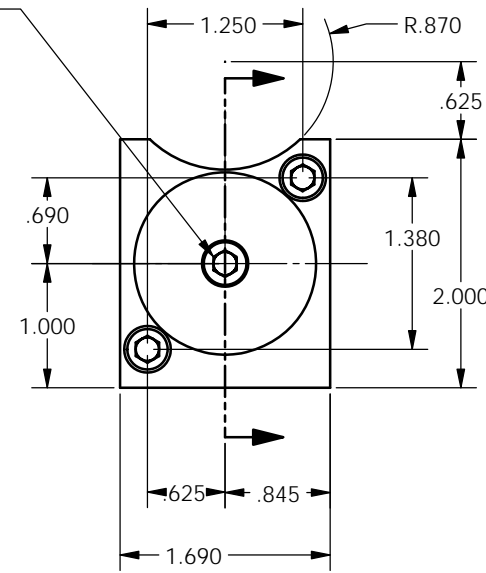
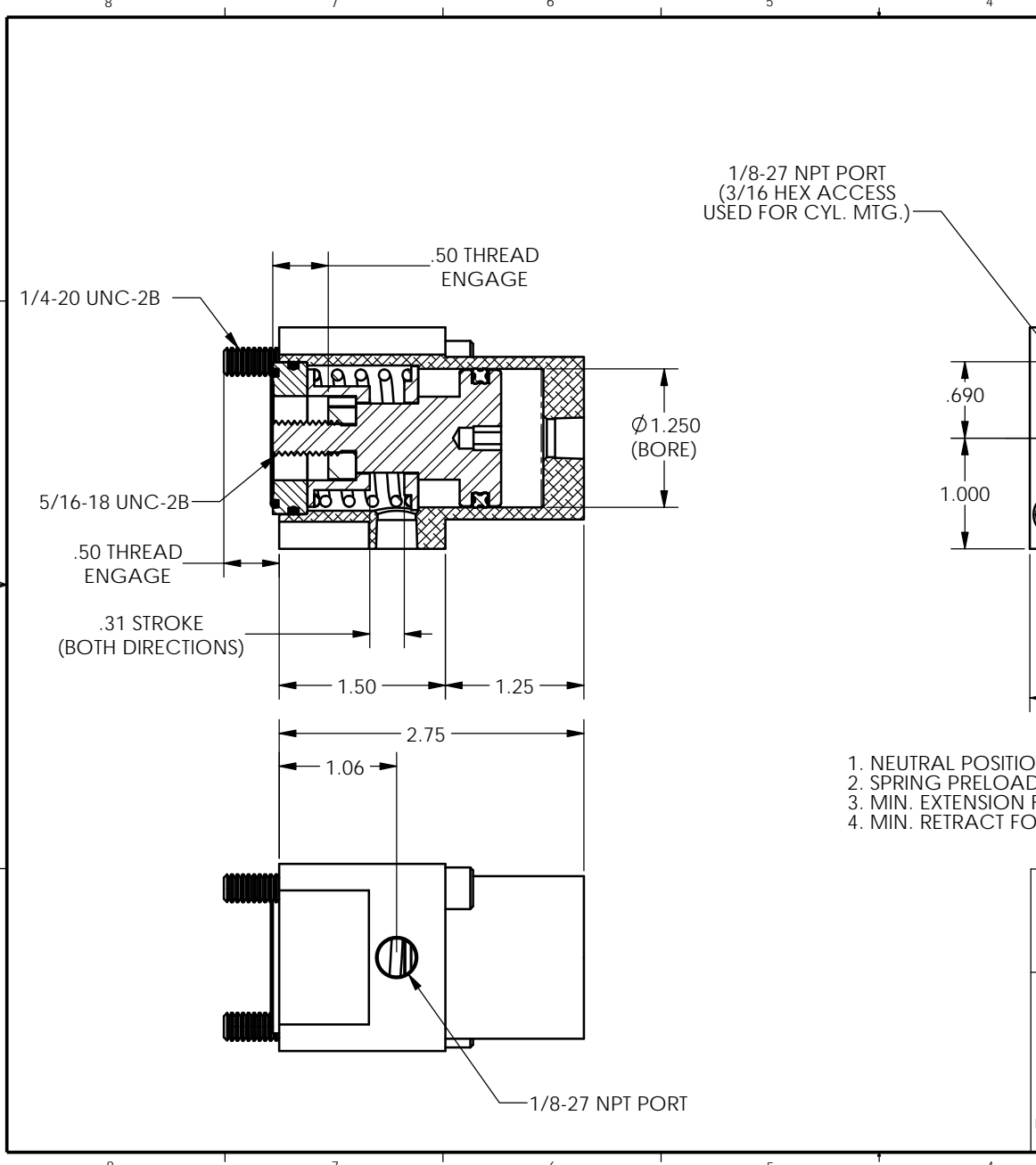
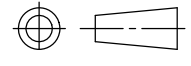



REVISIONS				
ECR	REV	DESCRIPTION	DATE	APPROVED
E2091	B	See Sheet1	03/26/2013	JUMPER



1. NEUTRAL POSITION SHOWN
2. SPRING PRELOAD = 32.3 LBS
3. MIN. EXTENSION FORCE @ 100 PSI AT FULL STROKE = 80 LBS
4. MIN. RETRACT FORCE @ 100 PSI AT FULL STROKE = 50 LBS

TYPE OF PROJECTION  THIRD ANGLE PROJECTION	DO NOT SCALE DRAWING UNLESS OTHERWISE SPECIFIED DIMENSIONS ARE IN INCHES TOLERANCES ARE: DECIMALS .X = ±.03 .XX = ±.010 .XXX = ±.005 FRACTION = ±.015 ANGLES = ±1/2°	 8178 EAST 44TH STREET TULSA, OK 74145	
		TITLE: AIR ACT FOR V20 HYD VAL	
PROPRIETARY AND CONFIDENTIAL THE INFORMATION CONTAINED IN THIS DRAWING IS THE SOLE PROPERTY OF APSCO Inc.. ANY REPRODUCTION IN PART OR AS A WHOLE WITHOUT WRITTEN PERMISSION OF APSCO Inc. IS PROHIBITED.	SURFACE TEXTURE OR BETTER MATERIAL: N/A	DWG. NO. C-3526-DM	REV B
	FINISH N/A	SIZE B	CLASS CYL
		DATE 11/03/2010	SHT. 2 OF 2
		F/N:C-3000 SERIES	