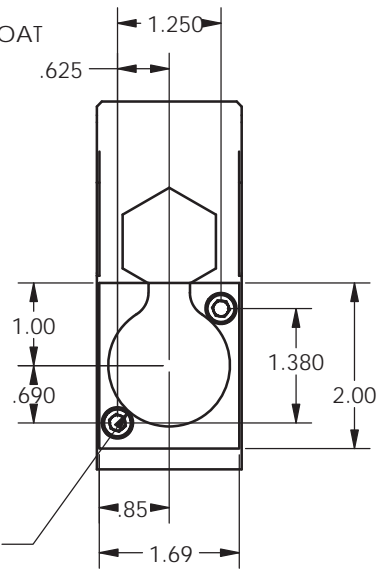
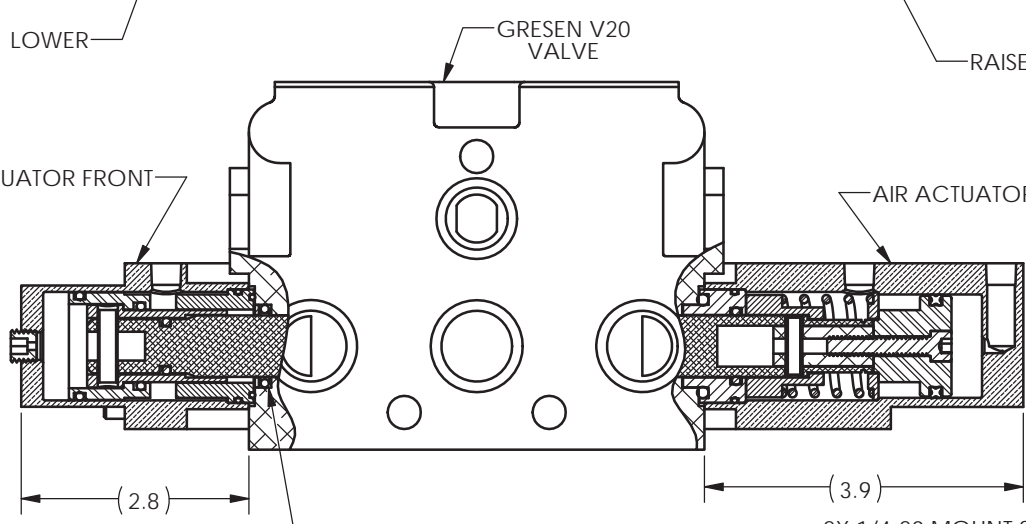
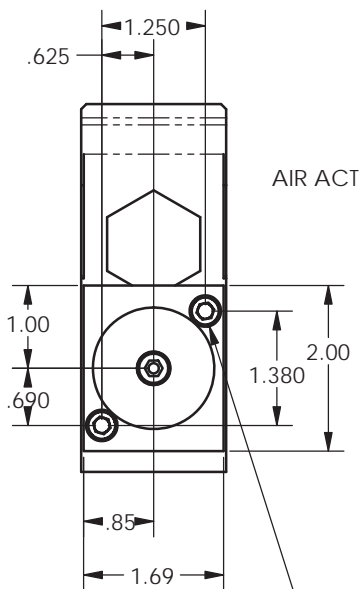
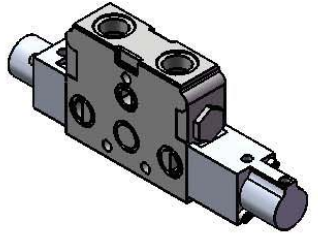
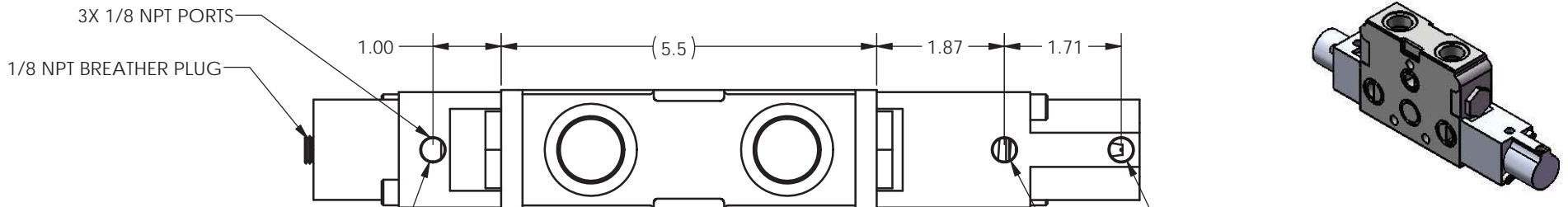
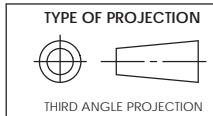


8 7 6 5 4 3 2 1

REVISIONS				
ECR	REV	DESCRIPTION	DATE	APPROVED
E1769	A	See Sheet1	07/27/2012	JUMPER



SMALLER SPACER AND O-RING FROM V20 VALVE, LEAVE IN PLACE AND REUSE REMOVE AND DISCARD THE LARGER SPACER



DO NOT SCALE DRAWING UNLESS OTHERWISE SPECIFIED DIMENSIONS ARE IN INCHES TOLERANCES ARE:
 DECIMALS
 .X = ±.03
 .XX = ±.010
 .XXX = ±.005
 FRACTION = ±.015
 ANGLES = ±1/2°

PROPRIETARY AND CONFIDENTIAL
 THE INFORMATION CONTAINED IN THIS DRAWING IS THE SOLE PROPERTY OF APSCO Inc.. ANY REPRODUCTION IN PART OR AS A WHOLE WITHOUT WRITTEN PERMISSION OF APSCO Inc. IS PROHIBITED.

SURFACE TEXTURE OR BETTER	
MATERIAL	N/A
FINISH	N/A



TITLE: AIR ACT FOR V20 HYD VAL			
DWG. NO. C-3526-DMK4		REV A	
SIZE B	DRAWN JUMPER	DATE 07/27/2012	CLASS
F/N: C-3000 SERIES			SHT. 3 OF 3

1. NEUTRAL POSITION SHOWN
2. SPRING PRELOAD = 32
3. MIN. EXTENSION FORCE @ 100 PSI AT FULL STROKE = 80
4. MIN. RETRACT FORCE @ 100 PSI AT FULL STROKE = 50
5. MIN FLOAT FROCE @100 PST = 87

8 7 6 5 4 3 2 1