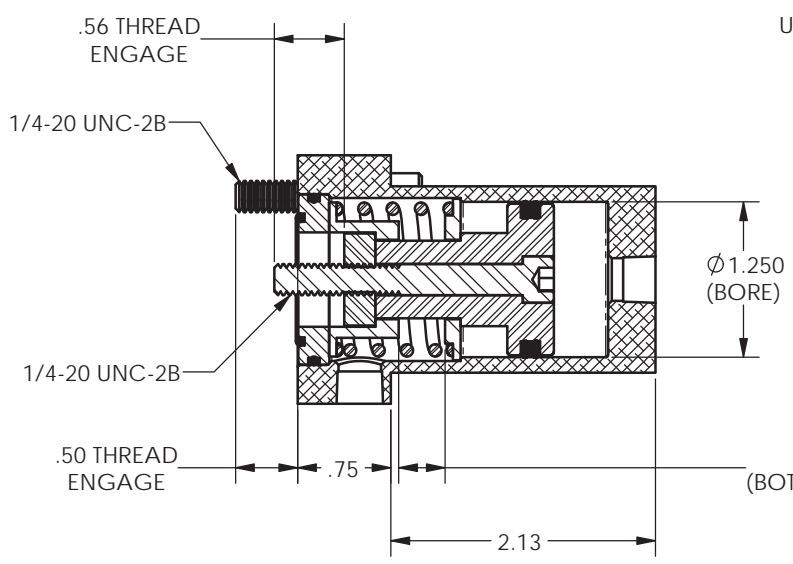
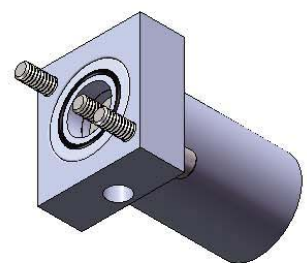
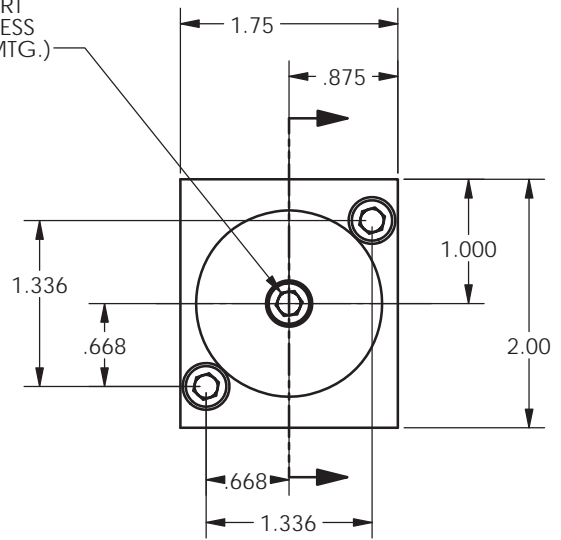


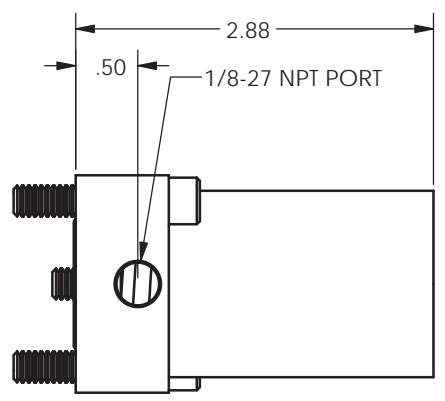
REVISIONS				
ECR	REV	DESCRIPTION	DATE	APPROVED
E2091	B	See Sheet1	03/26/2013	JUMPER



1/8-27 NPT PORT
(3/16 HEX ACCESS USED FOR CYL. MTG.)



1. NEUTRAL POSITION SHOWN
2. SPRING PRELOAD = 30.3 LBS
3. MIN. EXTENSION FORCE @ 100 PSI AT FULL STROKE = 80 LBS
4. MIN. RETRACT FORCE @ 100 PSI AT FULL STROKE = 49 LBS



TYPE OF PROJECTION THIRD ANGLE PROJECTION	DO NOT SCALE DRAWING UNLESS OTHERWISE SPECIFIED DIMENSIONS ARE IN INCHES TOLERANCES ARE: DECIMALS .X = ±.03 .XX = ±.010 .XXX = ±.005 FRACTION = ±.015 ANGLES = ±1/2°	 8178 EAST 44TH STREET TULSA, OK 74145	
		TITLE: AIR ACT FOR MP-18 HYD VAL	
PROPRIETARY AND CONFIDENTIAL THE INFORMATION CONTAINED IN THIS DRAWING IS THE SOLE PROPERTY OF APSCO Inc.. ANY REPRODUCTION IN PART OR AS A WHOLE WITHOUT WRITTEN PERMISSION OF APSCO Inc. IS PROHIBITED.	SURFACE TEXTURE OR BETTER MATERIAL: N/A	DWG. NO. C-3522-DM	REV B
	FINISH N/A	SIZE B	DATE 11/03/2010
		F/N:C-3000 SERIES	SHT. 2 OF 2