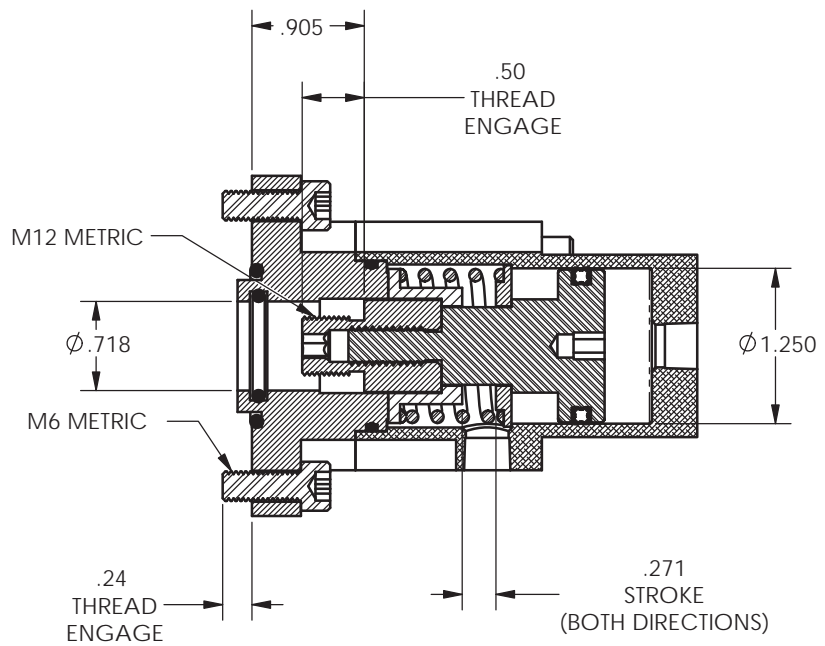
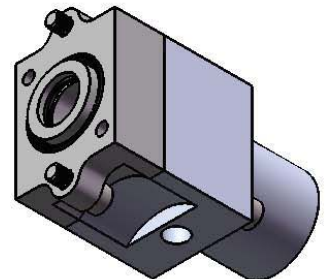
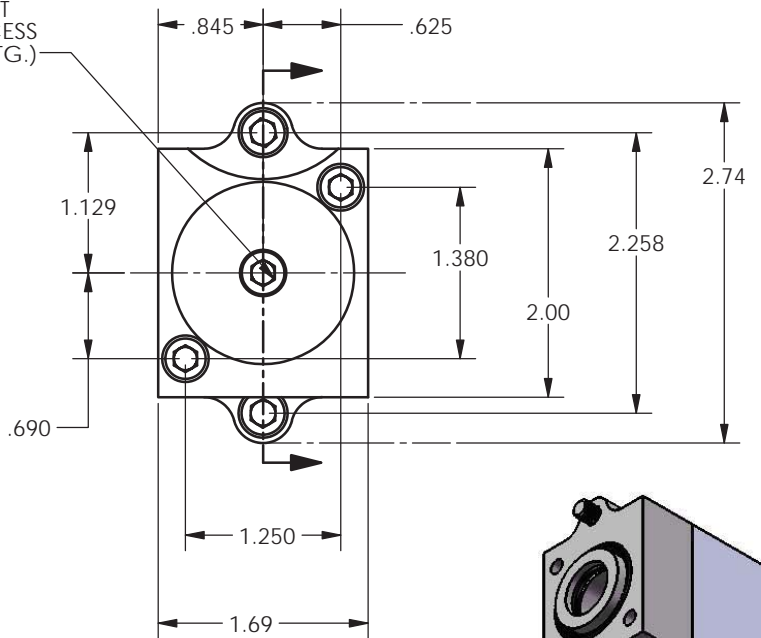


8 7 6 5 4 3 2 1

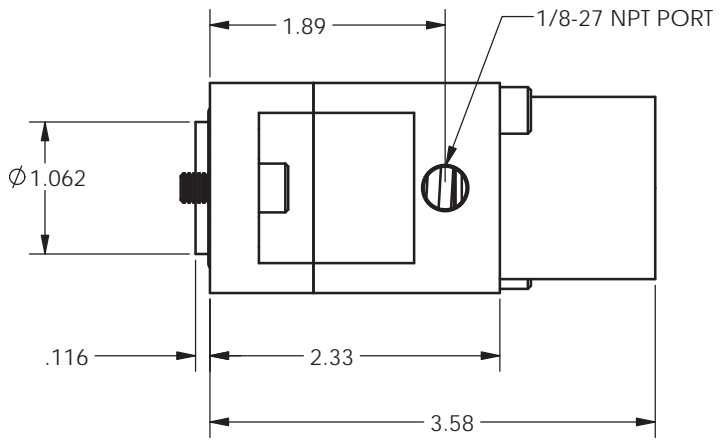
REVISIONS				
ECR	REV	DESCRIPTION	DATE	APPROVED
E1787	B	See Sheet1	07/26/2012	JUMPER



1/8-27 NPT PORT
(2X 3/16 HEX ACCESS
USED FOR CYL. MTG.)



1. NEUTRAL POSITION SHOWN
2. SPRING PRELOAD = 32.3 LBS
3. MIN. EXTENSION FORCE @ 100 PSI AT FULL STROKE = 81.7 LBS
4. MIN. RETRACT FORCE @ 100 PSI AT FULL STROKE = 37.5 LBS
5. STROKE IN EITHER DIRCTION = .271 inch (6.9mm)
6. SPRING RATE = 31.3 LBS/IN



TYPE OF PROJECTION THIRD ANGLE PROJECTION	DO NOT SCALE DRAWING UNLESS OTHERWISE SPECIFIED DIMENSIONS ARE IN INCHES TOLERANCES ARE: DECIMALS .X = $\pm .03$.XX = $\pm .010$.XXX = $\pm .005$ FRACTION = $\pm .015$ ANGLES = $\pm 1/2^\circ$	 8178 EAST 44TH STREET TULSA, OK 74145 TITLE: AIR ACT FOR M4-12 HYD VAL
PROPRIETARY AND CONFIDENTIAL THE INFORMATION CONTAINED IN THIS DRAWING IS THE SOLE PROPERTY OF APSCO Inc.. ANY REPRODUCTION IN PART OR AS A WHOLE WITHOUT WRITTEN PERMISSION OF APSCO Inc. IS PROHIBITED.	SURFACE TEXTURE OR BETTER MATERIAL N/A FINISH N/A	
DWG. NO. C-3514-DM		REV B
SIZE B	DRAWN GK	DATE 08/12/2008
F/N:C-3000 SERIES		CLASS CYL
		SHT. 2 OF 2

8 7 6 5 4 3 2 1