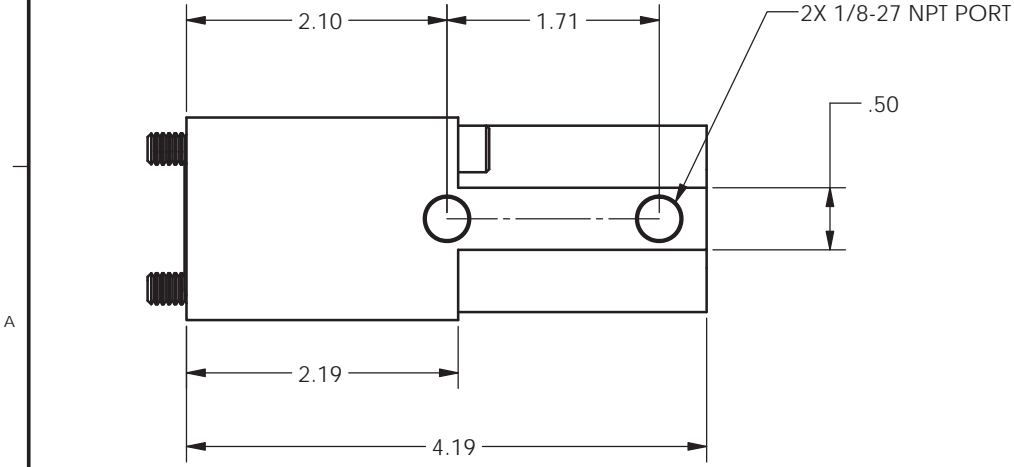
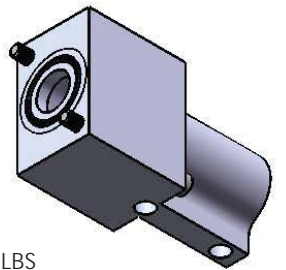
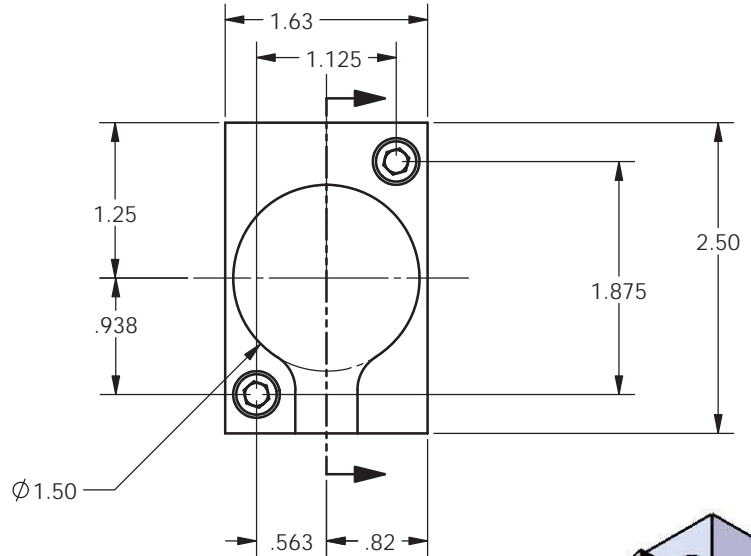
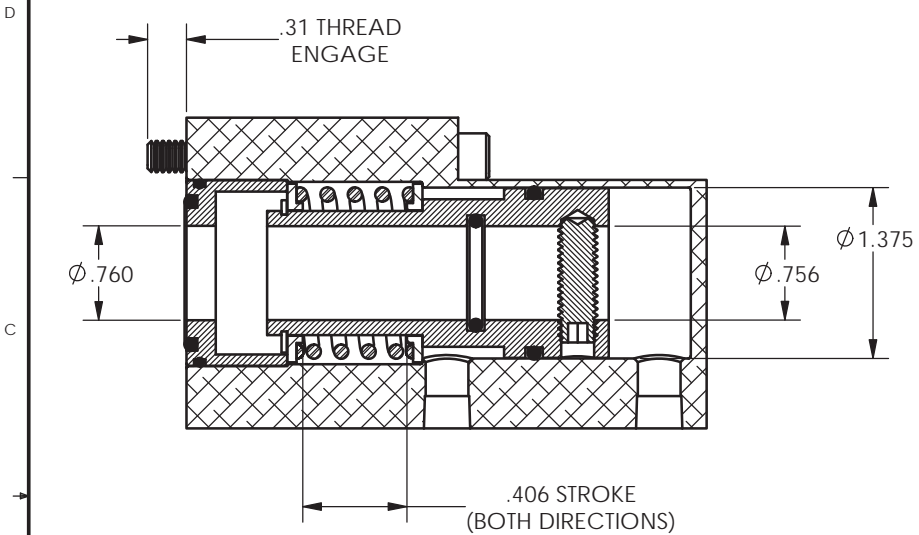


8 7 6 5 4 3 2 1

REVISIONS				
ECR	REV	DESCRIPTION	DATE	CHG BY
E1759	-	See Sheet1	06/26/2012	JUMPER



1. NEUTRAL POSITION SHOWN
2. SPRING PRELOAD = 28 LBS
3. MIN. EXTENSION FORCE @ 100 PSI AT FULL STROKE = 99 LBS
4. MIN. RETRACT FORCE @ 100 PSI AT FULL STROKE = 54 LBS

<p>TYPE OF PROJECTION</p> <p>THIRD ANGLE PROJECTION</p>	<p>DO NOT SCALE DRAWING UNLESS OTHERWISE SPECIFIED DIMENSIONS ARE IN INCHES</p> <p>TOLERANCES ARE:</p> <p>DECIMALS</p> <p>.X = ±.03</p> <p>.XX = ±.010</p> <p>.XXX = ±.005</p> <p>FRACTION = ±.015</p> <p>ANGLES = ±1/2°</p>	<p>8178 EAST 44TH STREET TULSA, OK 74145</p>	
		<p>PROPRIETARY AND CONFIDENTIAL</p> <p>THE INFORMATION CONTAINED IN THIS DRAWING IS THE SOLE PROPERTY OF APSCO Inc.. ANY REPRODUCTION IN PART OR AS A WHOLE WITHOUT WRITTEN PERMISSION OF APSCO Inc. IS PROHIBITED.</p>	<p>SURFACE TEXTURE OR BETTER</p> <p>MATERIAL N/A</p> <p>FINISH N/A</p>
<p>SIZE B</p> <p>DRAWN JUMPER</p> <p>DATE 06/26/2012</p> <p>CLASS CYL</p>		<p>F/N:C-3000 SERIES</p> <p>SHT. 2 OF 2</p>	

8 7 6 5 4 3 2 1