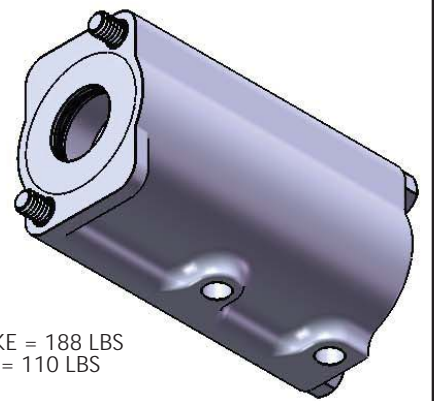
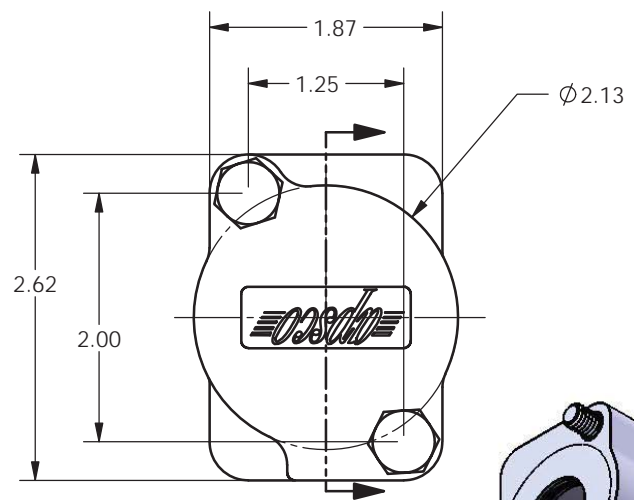
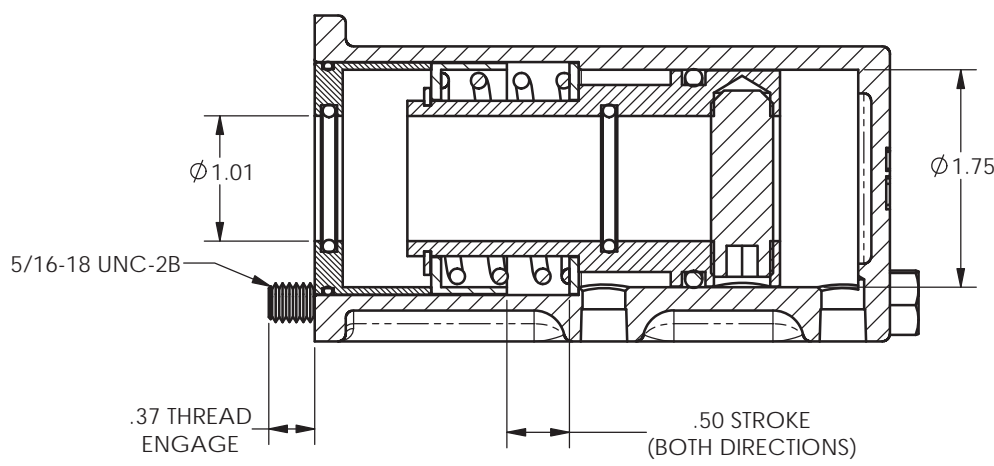
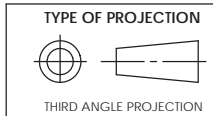
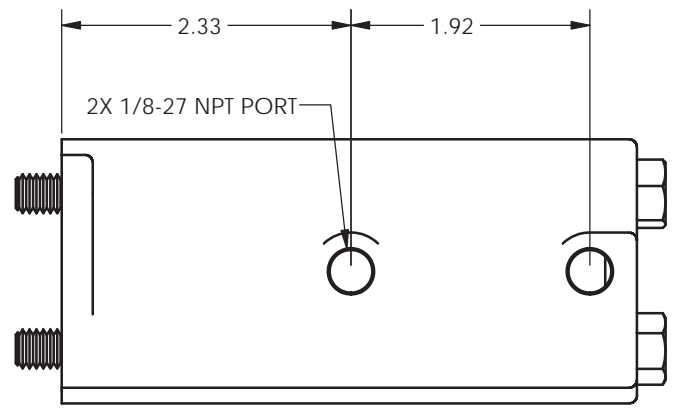


REVISIONS				
ECR	REV	DESCRIPTION	DATE	APPROVED
E1797	A	See Sheet1	08/03/2012	JUMPER



1. NEUTRAL POSITION SHOWN
2. SPRING PRELOAD = 30.0 LBS
3. MIN. EXTENSION FORCE @ 100 PSI AT FULL STROKE = 188 LBS
4. MIN. RETRACT FORCE @ 100 PSI AT FULL STROKE = 110 LBS



**PROPRIETARY AND CONFIDENTIAL**

THE INFORMATION CONTAINED IN THIS DRAWING IS THE SOLE PROPERTY OF APSCO Inc.. ANY REPRODUCTION IN PART OR AS A WHOLE WITHOUT WRITTEN PERMISSION OF APSCO Inc. IS PROHIBITED.

**DO NOT SCALE DRAWING**  
UNLESS OTHERWISE SPECIFIED DIMENSIONS ARE IN INCHES

TOLERANCES ARE:  
DECIMALS  
.X =  $\pm 0.03$   
.XX =  $\pm 0.10$   
.XXX =  $\pm 0.005$   
FRACTION =  $\pm 0.015$   
ANGLES =  $\pm 1/2^\circ$

$\sqrt{63}$   
SURFACE TEXTURE OR BETTER  
MATERIAL N/A  
FINISH N/A



TITLE: AIR ACT FOR C101/102 HYD PUMP			
DWG. NO. C-3505-DM		REV A	
SIZE B	DRAWN LC	DATE 10/29/2010	CLASS CYL
F/N:C-3000 SERIES			SHT. 2 OF 2