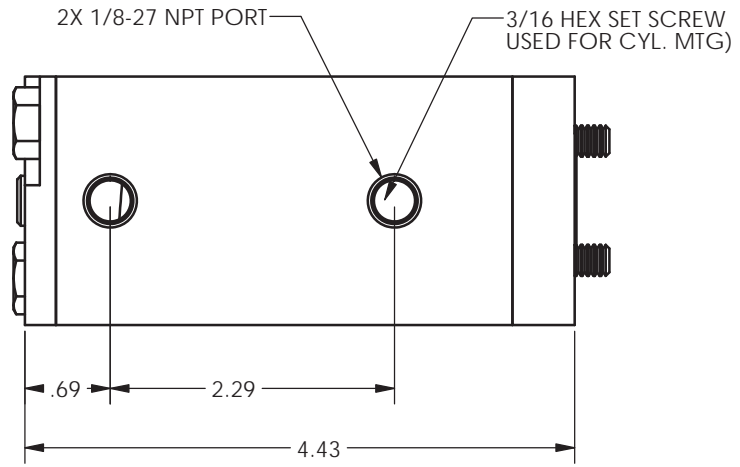
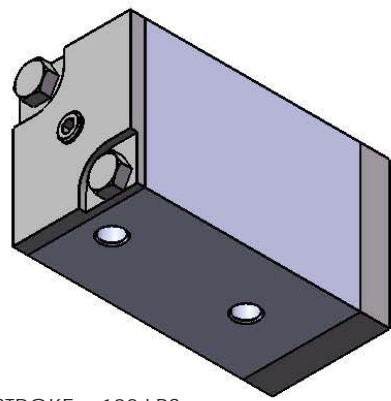
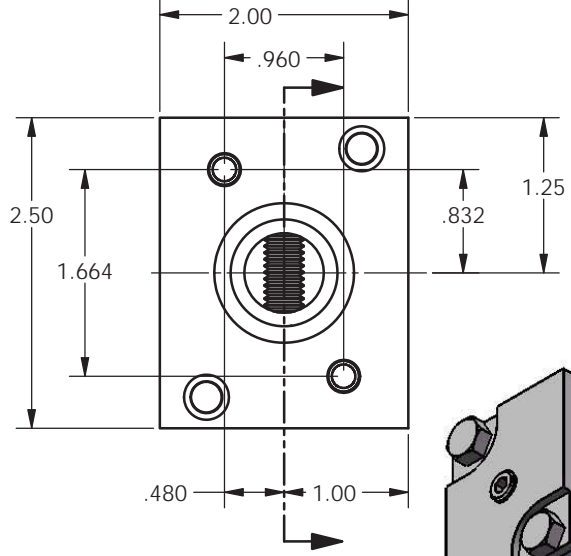
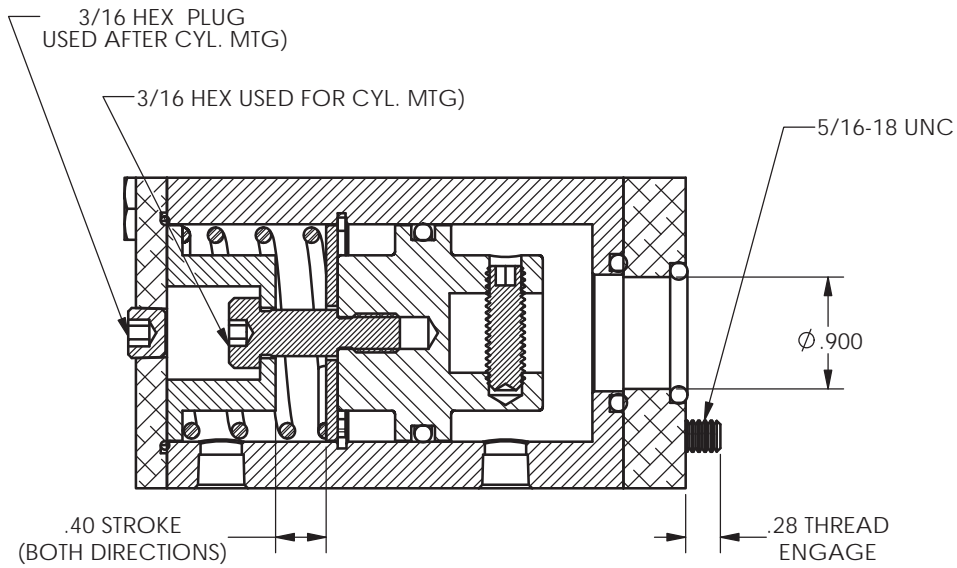
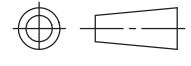



8 7 6 5 4 3 2 1

REVISIONS				
ECR	REV	DESCRIPTION	DATE	APPROVED
E1769	B	See Sheet1	06/26/2012	JUMPER



1. NEUTRAL POSITION SHOWN
2. SPRING PRELOAD = 24.4 LBS
3. MIN. EXTENSION FORCE @ 100 PSI AT FULL STROKE = 198 LBS
4. MIN. RETRACT FORCE @ 100 PSI AT FULL STROKE = 119 LBS

TYPE OF PROJECTION  THIRD ANGLE PROJECTION	DO NOT SCALE DRAWING UNLESS OTHERWISE SPECIFIED DIMENSIONS ARE IN INCHES TOLERANCES ARE: DECIMALS .X = ±.03 .XX = ±.010 .XXX = ±.005 FRACTION = ±.015 ANGLES = ±1/2°	 8178 EAST 44TH STREET TULSA, OK 74145	
		PROPRIETARY AND CONFIDENTIAL THE INFORMATION CONTAINED IN THIS DRAWING IS THE SOLE PROPERTY OF APSCO Inc.. ANY REPRODUCTION IN PART OR AS A WHOLE WITHOUT WRITTEN PERMISSION OF APSCO Inc. IS PROHIBITED.	SURFACE TEXTURE OR BETTER MATERIAL: N/A FINISH: N/A
		SIZE B DRAWN JUMPER DATE 06/26/2012	CLASS CYL
		F/N:C-3000 SERIES	
		SHT. 2 OF 2	

8 7 6 5 4 3 2 1