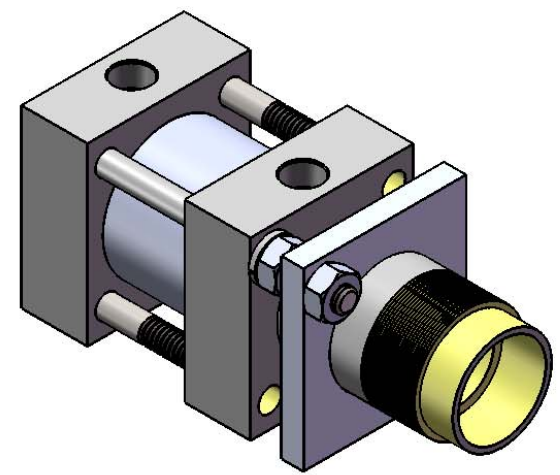


REVISIONS				
ECR	REV.	DESCRIPTION	DATE	CHG BY
E2770	-	See Sheet1	05/19/2015	RR



NOTES:

BORE=  $\phi 1.25$   
 STROKE= .6  
 RETRACTED END TO END OF ROD= 3.1  
 EXTENDED END TO END OF ROD= 3.7  
 EXTENSION FORCE @100PSI= 123 LBS  
 RETRACTED FORCE @ 100PSI=103 LBS

<p><b>ASSEMBLY</b> DO NOT SCALE DRAWING UNLESS OTHERWISE SPECIFIED DIMENSIONS ARE IN INCHES TOLERANCES ARE:</p> <p>X = <math>\pm .06</math>        .XX = <math>\pm .03</math>        .XXX = <math>\pm .010</math></p> <p>ANGLES = <math>\pm 2^\circ</math></p> <p>63 SURFACE TEXTURE OR BETTER</p> <p>TYPE OF PROJECTION</p> <p>THIRD ANGLE PROJECTION</p> <p>SHEET SIZE B</p>	<p><b>PROPRIETARY AND CONFIDENTIAL</b> THE INFORMATION CONTAINED IN THIS DRAWING IS THE SOLE PROPERTY OF APSCO Inc.. ANY REPRODUCTION IN PART OR AS A WHOLE WITHOUT WRITTEN PERMISSION OF APSCO Inc. IS PROHIBITED.</p>	TITLE: CYL 1 1/4-12 HW-6 KIT BR								
		DWG. NO. C-2533								
		MATERIAL N/A	FINISH N/A							
		<p>APSCO Inc. 8175 EAST 44TH STREET TULSA, OK 74145</p>								
<table border="1"> <tr> <td>DRAWN RR</td> <td>DATE 05/19/2015</td> </tr> <tr> <td>CHECKED FP</td> <td>DATE 05/20/2015</td> </tr> <tr> <td>APPROVED FH</td> <td>DATE 05/20/2015</td> </tr> <tr> <td>FINAL FH</td> <td>DATE 05/20/2015</td> </tr> </table>	DRAWN RR	DATE 05/19/2015	CHECKED FP	DATE 05/20/2015	APPROVED FH	DATE 05/20/2015	FINAL FH	DATE 05/20/2015	REV -	F/N: C-2533
DRAWN RR	DATE 05/19/2015									
CHECKED FP	DATE 05/20/2015									
APPROVED FH	DATE 05/20/2015									
FINAL FH	DATE 05/20/2015									
		SHT. 2 OF 2								