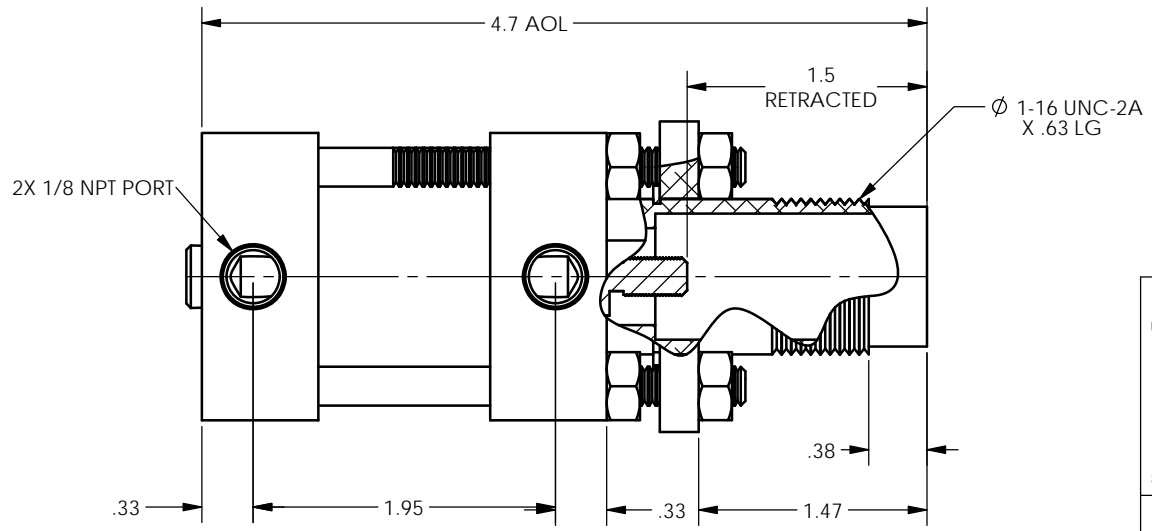
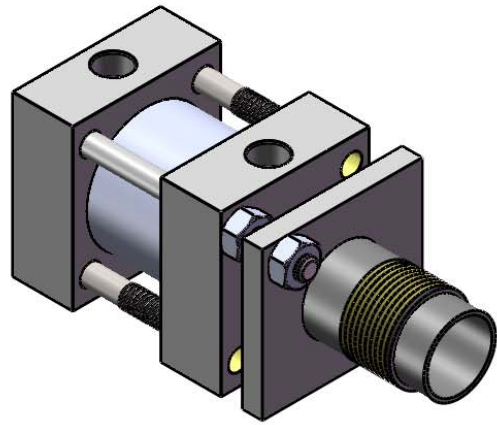


REVISIONS				
ECR	REV.	DESCRIPTION	DATE	CHG BY
E2770	-	See Sheet1	05/19/2015	RR



NOTES:

- BORE= Ø 1.25
- STROKE= .6
- RETRACTED END TO END OF ROD= 3.1
- EXTENDED END TO END OF ROD= 3.7
- EXTENSION FORCE @100PSI= 123 LBS
- RETRACTED FORCE @ 100PSI=103 LBS

ASSEMBLY DO NOT SCALE DRAWING UNLESS OTHERWISE SPECIFIED DIMENSIONS ARE IN INCHES TOLERANCES ARE: .X = ±.06 .XX = ±.03 .XXX = ±.010 ANGLES = ±2° SURFACE TEXTURE OR BETTER 	PROPRIETARY AND CONFIDENTIAL THE INFORMATION CONTAINED IN THIS DRAWING IS THE SOLE PROPERTY OF APSCO Inc. . ANY REPRODUCTION IN PART OR AS A WHOLE WITHOUT WRITTEN PERMISSION OF APSCO Inc. IS PROHIBITED.	TITLE: CYL 1-16 HW-2 KIT	
		DWG. NO. C-2529	
		MATERIAL: N/A	FINISH: N/A
TYPE OF PROJECTION THIRD ANGLE PROJECTION SHEET SIZE B	DRAWN: RR CHECKED: FP APPROVED: FH FINAL: FH	DATE: 05/19/2015 DATE: 05/19/2015 DATE: 05/19/2015 DATE: 5/19/2015	REV: - 8175 EAST 44TH STREET TULSA, OK 74145
		F/N: C-2529	SHT. 2 OF 2