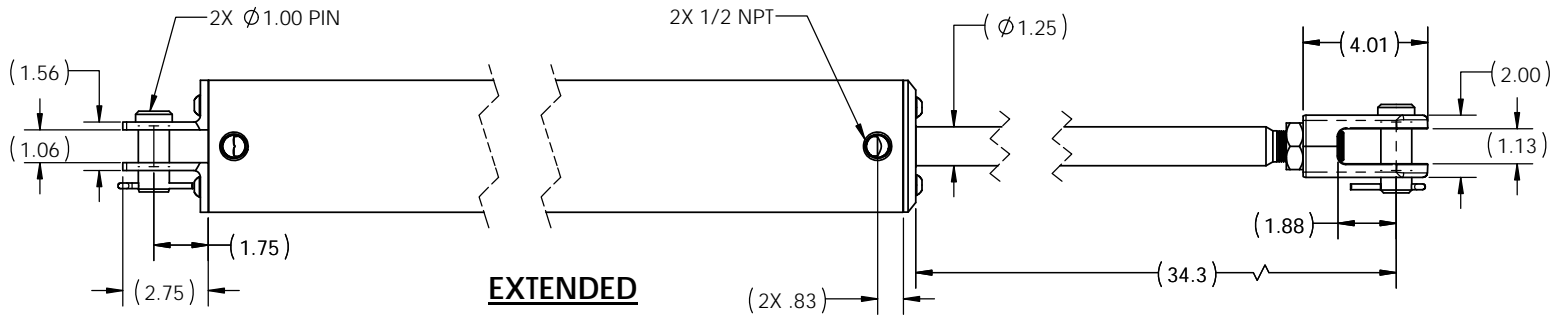


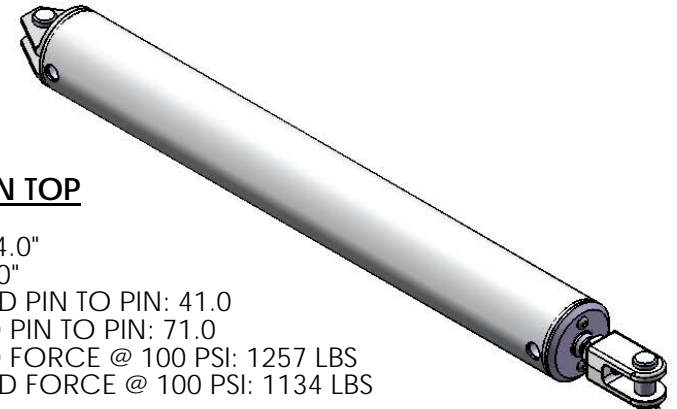
8 7 6 5

REVISIONS				
ECR	REV	DESCRIPTION	DATE	CHG BY
E3083	-	See Sheet1	5/13/2016	RR



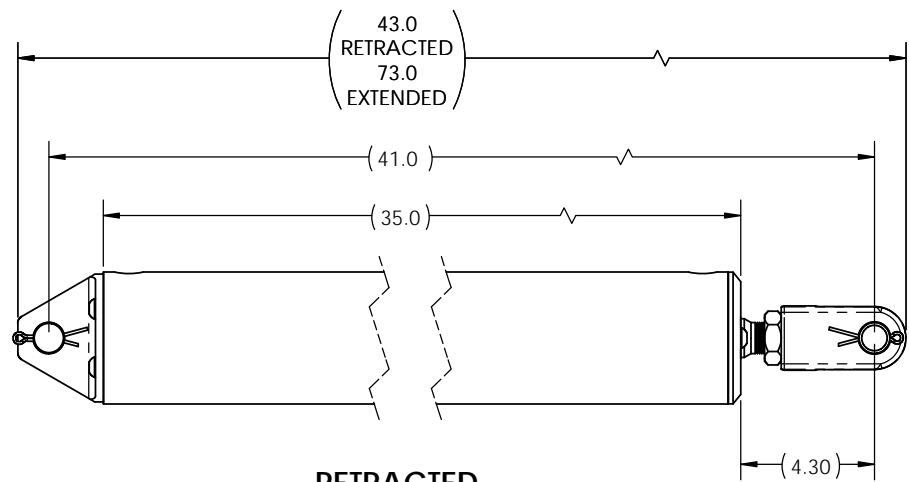
EXTENDED

(2X .83)



PORTS ON TOP

BORE: ϕ 4.0"
 STROKE: 30"
 RETRACTED PIN TO PIN: 41.0
 EXTENDED PIN TO PIN: 71.0
 EXTENDED FORCE @ 100 PSI: 1257 LBS
 RETRACTED FORCE @ 100 PSI: 1134 LBS



RETRACTED

<p>ASSEMBLY DO NOT SCALE DRAWING UNLESS OTHERWISE SPECIFIED DIMENSIONS ARE IN INCHES TOLERANCES ARE:</p> <p>X = ±.06 .XX = ±.03 .XXX = ±.010</p> <p>ANGLES = ±2°</p> <p>63 SURFACE TEXTURE OR BETTER</p> <p>TYPE OF PROJECTION</p> <p>THIRD ANGLE PROJECTION</p> <p>SHEET SIZE B</p>	<p>PROPRIETARY AND CONFIDENTIAL THE INFORMATION CONTAINED IN THIS DRAWING IS THE SOLE PROPERTY OF APSCO Inc.. ANY REPRODUCTION IN PART OR AS A WHOLE WITHOUT WRITTEN PERMISSION OF APSCO Inc. IS PROHIBITED.</p>	TITLE: CYL 4 X 30 1 PK	
		DWG. NO. C-0431-PK-1	
		MATERIAL: N/A	FINISH: N/A
	DRAWN: RR CHECKED: DJ APPROVED: FH FINAL: FH	DATE: 5/13/2016 DATE: 5/13/2016 DATE: 5/13/2016 DATE: 5/13/2016	REV -
F/N: C-0431-PK-1-			SHT. 2 OF 2

8 7 6 5 4 3 2 1