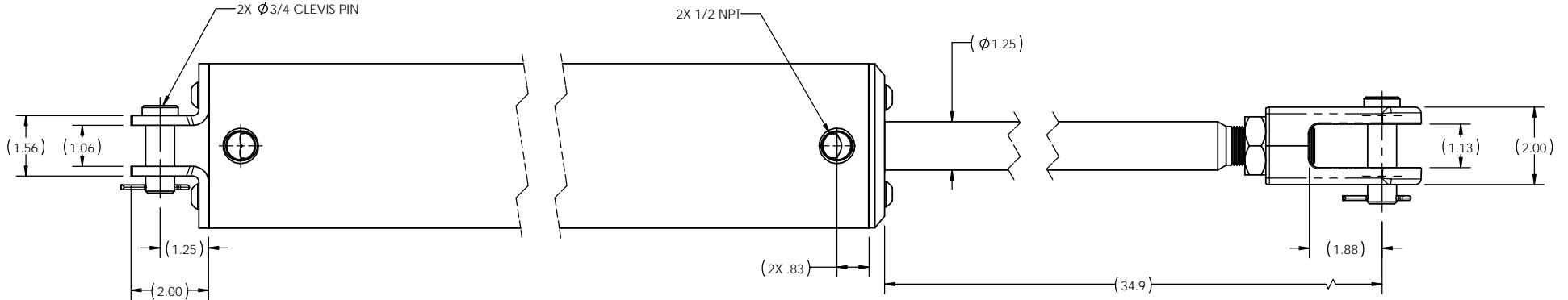
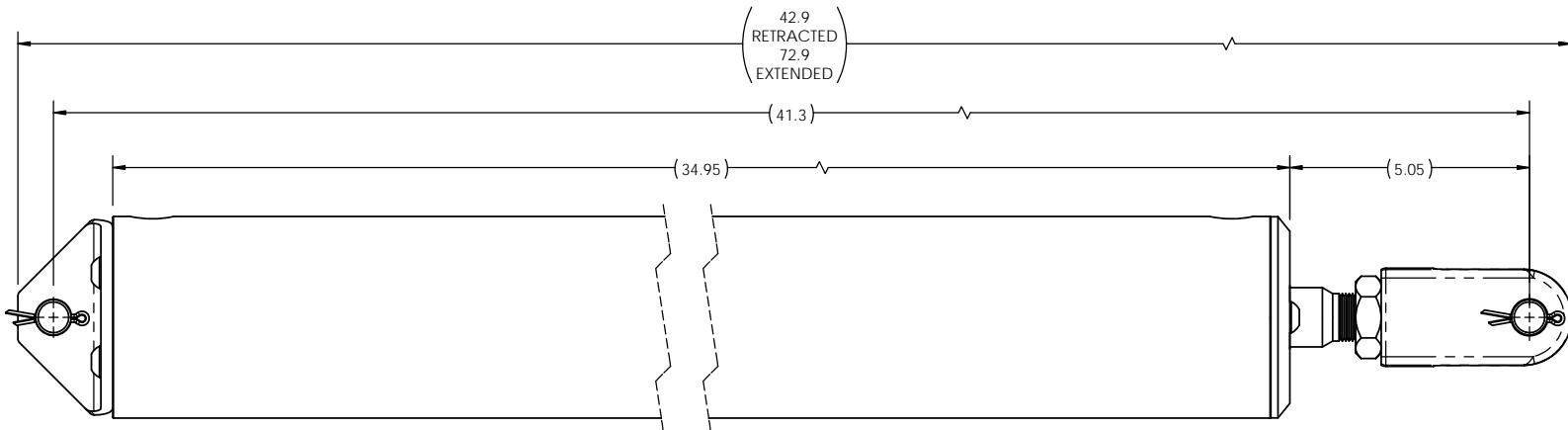


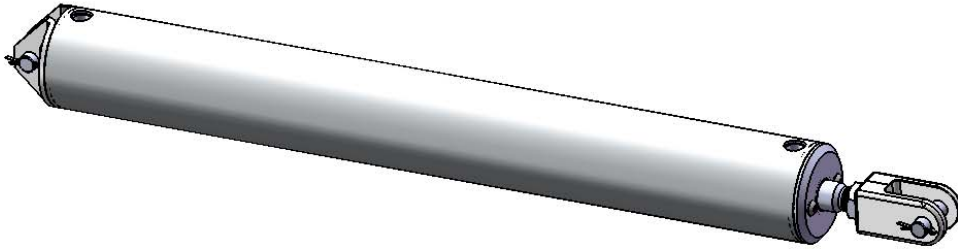
REVISIONS					
ECR	REVISION	DESCRIPTION	CHANGED BY	DATE	APPROVED BY
3234	A	NEW RELEASE	RR	10/14/2016	FH



**EXTENDED**



**RETRACTED**



<b>PROPRIETARY AND CONFIDENTIAL</b> THE INFORMATION CONTAINED IN THIS DRAWING IS THE SOLE PROPERTY OF APSCO Inc. ANY REPRODUCTION IN PART OR AS A WHOLE WITHOUT WRITTEN PERMISSION OF APSCO Inc. IS PROHIBITED.		<b>APSCO</b> 8178 EAST 44TH STREET TULSA, OK 74145 (918) 622-5600	
TYPE OF PROJECTION  THIRD ANGLE PROJECTION		MATERIAL N/A	
DRAWN RR	DATE 10/14/2016	FINISH N/A	TITLE: CYL 4 X 30 DA 16 BR PK
CHECKED DJ	DATE 10/14/2016		DWG. NO. C-0430-PK
APPROVED FH	DATE 10/14/2016		<b>ASSEMBLY TOLERANCE</b> DO NOT SCALE DRAWING <b>APEN001</b>
FINAL FH	DATE 10/14/2016		SHEET SIZE <b>C</b>
		SCALE <b>1:2</b>	
		REVISION <b>A</b>	
		F/N: C-0430-PK	
		SHT. 2 OF 2	

<b>PROPRIETARY AND CONFIDENTIAL</b> THE INFORMATION CONTAINED IN THIS DRAWING IS THE SOLE PROPERTY OF APSCO Inc. ANY REPRODUCTION IN PART OR AS A WHOLE WITHOUT WRITTEN PERMISSION OF APSCO Inc. IS PROHIBITED.		<b>APSCO</b> 8178 EAST 44TH STREET TULSA, OK 74145 (918) 622-5600	
TYPE OF PROJECTION  THIRD ANGLE PROJECTION		MATERIAL N/A	
DRAWN RR	DATE 10/14/2016	FINISH N/A	TITLE: CYL 4 X 30 DA 16 BR PK
CHECKED DJ	DATE 10/14/2016		DWG. NO. C-0430-PK
APPROVED FH	DATE 10/14/2016		<b>ASSEMBLY TOLERANCE</b> DO NOT SCALE DRAWING <b>APEN001</b>
FINAL FH	DATE 10/14/2016		SHEET SIZE <b>C</b>
		SCALE <b>1:2</b>	
		REVISION <b>A</b>	
		F/N: C-0430-PK	
		SHT. 2 OF 2	