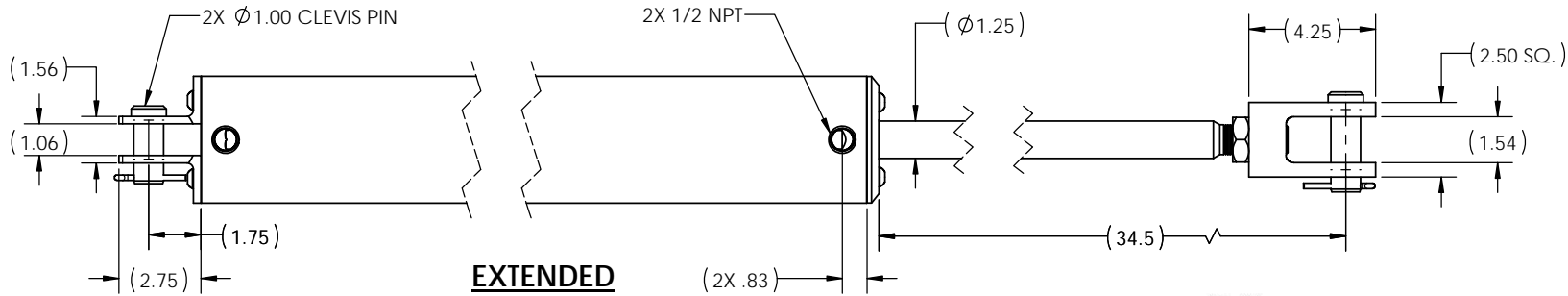


8 7 6 5

REVISIONS				
ECR	REV	DESCRIPTION	DATE	CHG BY
E3015	C	See Sheet1	3/9/2016	RR

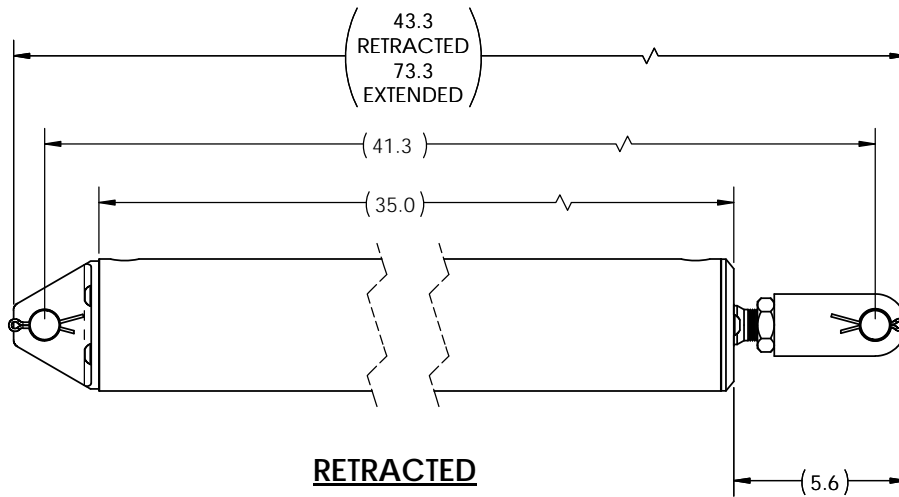


EXTENDED



PORTS ON TOP

BORE: Ø 4.0"
 STROKE: 30"
 RETRACTED PIN TO PIN: 41.3
 EXTENDED PIN TO PIN: 71.3
 EXTENDED FORCE @ 100 PSI: 1257 LBS
 RETRACTED FORCE @ 100 PSI: 1134 LBS



RETRACTED

<p>ASSEMBLY DO NOT SCALE DRAWING UNLESS OTHERWISE SPECIFIED DIMENSIONS ARE IN INCHES TOLERANCES ARE:</p> <p>.X = ±.06 .XX = ±.03 .XXX = ±.010</p> <p>ANGLES = ±2°</p> <p>6.3 SURFACE TEXTURE OR BETTER</p> <p>TYPE OF PROJECTION</p> <p>THIRD ANGLE PROJECTION</p> <p>SHEET SIZE B</p>	<p>PROPRIETARY AND CONFIDENTIAL THE INFORMATION CONTAINED IN THIS DRAWING IS THE SOLE PROPERTY OF APSCO Inc.. ANY REPRODUCTION IN PART OR AS A WHOLE WITHOUT WRITTEN PERMISSION OF APSCO Inc. IS PROHIBITED.</p> <p>DRAWN: GK DATE: 8/10/2009 CHECKED: DJ DATE: 10/11/2012 APPROVED: FH DATE: 3/8/2016 FINAL: FH DATE: 3/8/2016</p>	TITLE: CYL 4 X 30 1 PK	
		DWG. NO. C-0430-PK-1	
		MATERIAL: N/A	FINISH: N/A
		8175 EAST 44TH STREET TULSA, OK 74145	
F/N: C-0430-PK-1)C		REV C	SHT. 2 OF 2

8 7 6 5 4 3 2 1