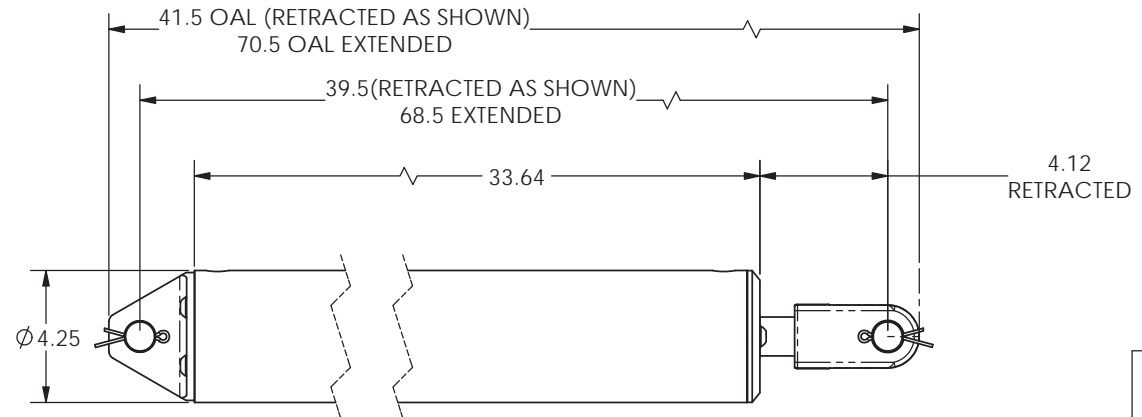
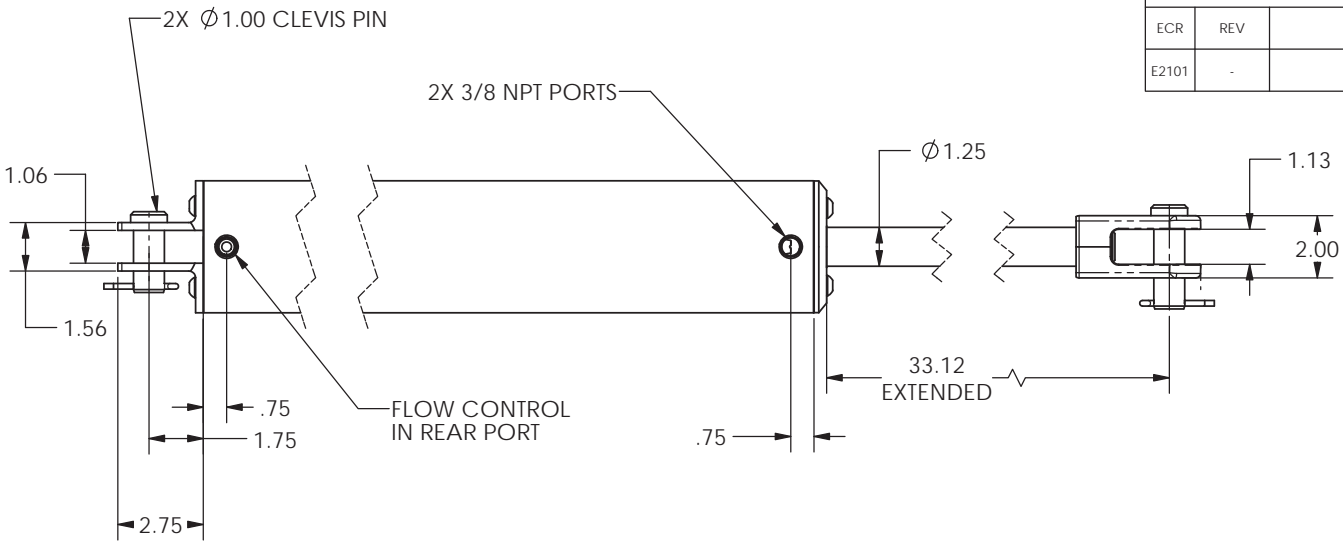


8 7 6 5 4 3 2 1

REVISIONS				
ECR	REV	DESCRIPTION	DATE	APPROVED
E2101	-	See Sheet1	04/05/2013	JUMPER



NOTES:
 BORE: $\text{Ø}4.0''$
 STROKE: 29"
 PIN TO PIN: 39.50 RETRACTED
 PIN TO PIN: 68.50 EXTENDED
 EXTENDED FORCE @ 100 PSI: 1257 LBS
 RETRACT FORCE @ 100 PSI: 1134 LBS

PORTS ON TOP

TYPE OF PROJECTION THIRD ANGLE PROJECTION	DO NOT SCALE DRAWING UNLESS OTHERWISE SPECIFIED DIMENSIONS ARE IN INCHES TOLERANCES ARE: DECIMALS X = ±.03 .XX = ±.010 .XXX = ±.005 FRACTION = ±.015 ANGLES = ±1/2° 63/	8178 EAST 44TH STREET TULSA, OK 74145		
		TITLE: CYLINDER 4" X 29", FLOW CONTROL, PIN KIT		
PROPRIETARY AND CONFIDENTIAL THE INFORMATION CONTAINED IN THIS DRAWING IS THE SOLE PROPERTY OF APSCO Inc.. ANY REPRODUCTION IN PART OR AS A WHOLE WITHOUT WRITTEN PERMISSION OF APSCO Inc. IS PROHIBITED.	SURFACE TEXTURE OR BETTER MATERIAL N/A	DWG. NO. C-0429-FC-PK-1	REV -	
	FINISH N/A	SIZE B	DRAWN JUMPER	DATE 04/05/2013
F/N: C-0400 SERIES			SHEET 2 OF 2	

8 7 6 5 4 3 2 1